

# **PARTS LIST**

**WESTERBEKE**

**55A Four**

**Marine Diesel Engine**

**Publication # 044000**

**Edition One**

**August 1999**



*WESTERBEKE CORPORATION  
MYLES STANDISH INDUSTRIAL PARK  
150 JOHN HANCOCK ROAD, TAUNTON, MA 02780-7319*

# **PARTS LIST**

**WESTERBEKE**

**55A Four**

**Marine Diesel Engine**

**Publication # 044000**

**Edition One**

**August 1999**



*WESTERBEKE CORPORATION  
MYLES STANDISH INDUSTRIAL PARK  
150 JOHN HANCOCK ROAD, TAUNTON, MA 02780-7319*

## IMPORTANT

### PRODUCT SOFTWARE DISCLAIMER

Product software of all kinds such as brochures, drawings, technical data, operator's and workshop manuals, parts lists and parts price lists, and other information, instructions and specifications provided from sources other than Westerbeke, is not within Westerbeke's control and, accordingly, is provided to Westerbeke customers only as a courtesy and service. **Westerbeke cannot be responsible for the content of such software, makes no warranties or representations with respect thereto, including the accuracy, timeliness or completeness thereof, and will in no event be liable for any type of damages or injury incurred in connection with, or arising out of, the furnishing or use of such software.**

For example, components and subassemblies incorporated in Westerbeke's products and supplied by others (such as engine blocks, fuel systems and components, transmissions, electrical components, pumps and other products) are generally supported by their manufacturers with their own software, and Westerbeke must depend on such software for the design of Westerbeke's own product software. Such software may be outdated and no longer accurate. Routine changes made by Westerbeke's suppliers, of which Westerbeke rarely has notice in advance, are frequently not reflected in the supplier's software until after such changes take place.

Westerbeke customers should also keep in mind the time span between printings of Westerbeke product software, and the unavoidable existence of earlier, non-current Westerbeke software editions in the field. Additionally, most Westerbeke products include customer-requested special features that frequently do not include complete documentation.

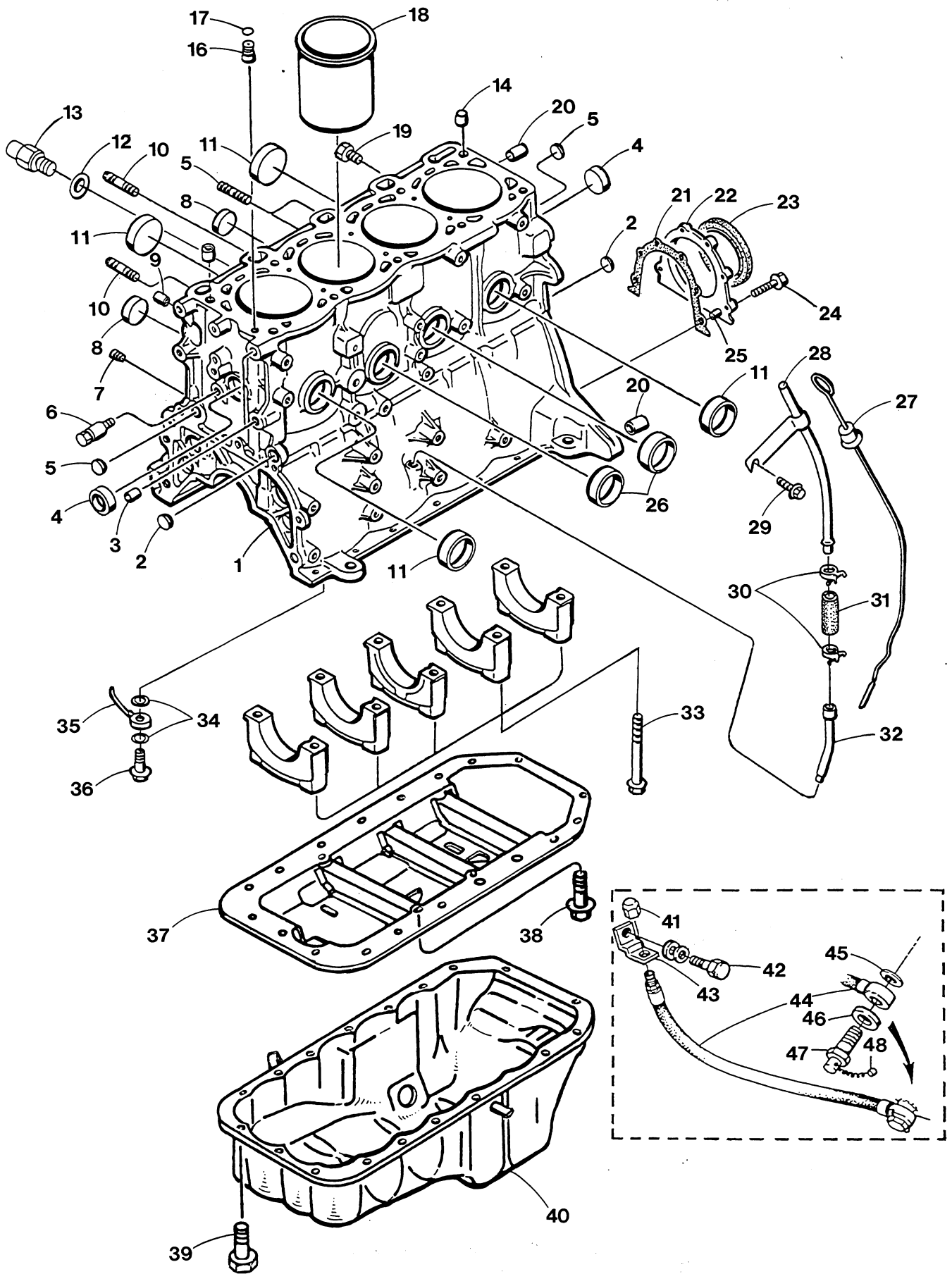
In summation, product software provided with Westerbeke products, whether from Westerbeke or other suppliers, must not and cannot be relied upon exclusively as the definitive authority on the respective product. It not only makes good sense but is imperative that appropriate representatives of Westerbeke or the supplier in question be consulted to determine the accuracy and currency of the product software being consulted by the customer.

## WESTERBEKE 55A FOUR

### TABLE OF CONTENTS

| PAGE | DESCRIPTION                               |
|------|---|
| 100  | CYLINDER BLOCK                            |
| 102  | CYLINDER HEAD                             |
| 104  | CRANKSHAFT - PISTONS                      |
| 106  | CAMSHAFT - VALVES - TIMING SYSTEM         |
| 108  | TIMING COVER                              |
| 110  | LUBE OIL FILTER AND PUMP                  |
| 114  | AIR FILTER - MANIFOLD - COOLING SYSTEM    |
| 116  | HEAT EXCHANGER - HBW TRANSMISSION COOLER  |
| 118  | SEA WATER PUMP                            |
| 120  | FRESH WATER PUMP - IDLER PULLEY           |
| 122  | FUEL SYSTEM                               |
| 126  | THROTTLE CABLE CONNECTION                 |
| 128  | ALTERNATOR - SEA WATER PUMP - BELTS       |
| 132  | FRONT MOUNTS - COMPRESSOR MOUNTING SYSTEM |
| 134  | BACK END - HBW TRANSMISSION - REAR MOUNTS |
| 138  | HBW TRANSMISSION SHIFTING BRACKET         |
| 140  | WARNER 71C HYDRAULIC TRANSMISSION         |
| 142  | ELECTRICAL SYSTEM                         |
| 144  | PROPULSION INSTRUMENT PANELS              |
| 146  | STARTER MOTOR                             |
| 148  | MISCELLANEOUS                             |

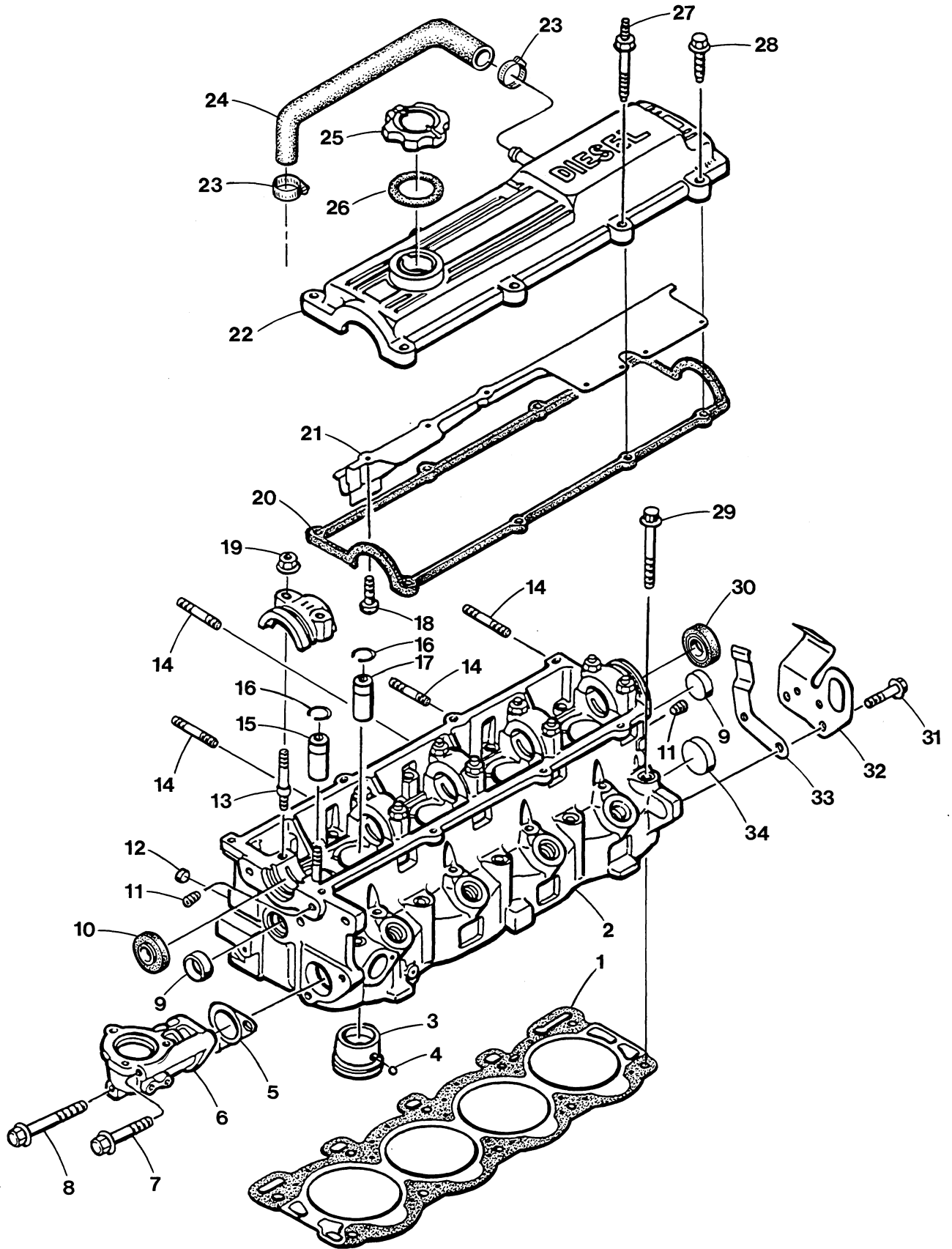
WESTERBEKE 55A FOUR - CYLINDER BLOCK



WESTERBEKE 55A FOUR - CYLINDER BLOCK

| REF  | PN     | NAME      | REMARKS                        | QUAN |
|------|--------|-----------|--------------------------------|------|
| 1    | 039545 | BLOCK     | ASSEMBLY                       | 1    |
| 2    | 040776 | PLUG      |                                | 2    |
| 3    | 044017 | DOWEL     | TUBULAR                        | 4    |
| 4    | 024374 | PLUG      | EXPANSION 30MM DIN 443         | 2    |
| 5    | 034119 | PLUG      |                                | 2    |
| 6    | 041889 | PIN       | TENSIONER SPRING               | 1    |
| 7    | 033624 | PLUG      |                                | 1    |
| 8    | 024373 | PLUG      | EXPANSION 25MM DIN 443         | 2    |
| 9    | 044017 | DOWEL     | TUBULAR                        | 4    |
| 10   | 041968 | STUD      | TORX-OIL ADPATER TO BLOCK      | 2    |
| 11   | 033657 | PLUG      | EXPANSION 40MM DIN 443         | 4    |
| 12   | 033666 | WASHER    | BANJO M20                      | 1    |
| 13   | 041972 | CONNECTOR | OIL ADAPTER TO BLOCK           | 1    |
| 14   | 040758 | DOWEL     | TUBULAR                        | 2    |
| 15   | 041969 | STUD      | TORX-OIL LINE TO BLOCK         | 2    |
| 16   | 041822 | PLUG      | OIL                            | 1    |
| 17   | 041966 | O-RING    |                                | 1    |
| 18-1 | 041858 | LINER     | CYLINDER YELLOW -0.011- -0.022 | 4    |
| 18-2 | 041823 | LINER     | CYLINDER WHITE 0- -.011        | 4    |
| 19   | 040254 | PLUG      |                                | 1    |
| 20   | 034169 | DOWEL     | TUBULAR                        | 2    |
| 21   | 040795 | GASKET    | CRANKSHAFT OIL SEAL FLANGE     | 1    |
| 22   | 040794 | FLANGE    | OIL SEAL CRANKSHAFT REAR       | 1    |
| 23   | 040799 | SEAL      | OIL                            | 1    |
| 24   | 041424 | CAPSCREW  | M 6 X 25 JIS-FLANGE DOG        | 6    |
| 25   | 044016 | DOWEL     | TUBULAR                        | 2    |
| 26   | 024349 | PLUG      | EXPANSION 35MM DIN 443         | 2    |
| 27   | 041829 | DIPSTICK  |                                | 1    |
| 28   | 041825 | TUBE      | DIPSTICK                       | 1    |
| 29   | 044027 | CAPSCREW  | M 6 X 12 JIS-FLANGE DOG        | 1    |
| 30   | 017298 | CLAMP     | HOSE 6                         | 2    |
| 31   | 032875 | HOSE      | DIPSTICK TUBE                  | 1    |
| 32   | 041827 | TUBE      | DIPSTICK LOWER                 | 1    |
| 33   | 041824 | BOLT      | MAIN BEARING CAP               | 10   |
| 34   | 032654 | WASHER    | OIL JET LINE                   | 8    |
| 35   | 041855 | JET       | OIL                            | 4    |
| 36   | 041856 | VALVE     | OIL JET                        | 4    |
| 37   | 041859 | BAFFLE    | OIL SUMP                       | 1    |
| 38   | 044027 | CAPSCREW  | M 6 X 12 JIS-FLANGE DOG        | 2    |
| 39   | 044028 | CAPSCREW  | M 6 X 16 JIS-FLANGE DOG        | 19   |
| 40   | 041826 | SUMP      | OIL                            | 1    |
| 41   | 024905 | CAP       | SUMP DRAIN HOSE                | 1    |
| 42   | 044025 | CAPSCREW  | M10 X 1.25 X 55 JIS-FLANGE     | 1    |
| 43   | 024922 | BRACKET   | SUMP DRAIN HOSE                | 1    |
| 44   | 030846 | HOSE      | SUMP DRAIN                     | 1    |
| 45   | 030291 | WASHER    | BANJO M14                      | 1    |
| 46   | 036493 | WASHER    | SUMP DRAIN BANJO               | 1    |
| 47   | 036821 | BOLT      | BANJO-SUMP DRAIN               | 1    |
| 48   | 037393 | SEAL      | LEAD WIRE                      | 1    |

WESTERBEKE 55A FOUR - CYLINDER HEAD

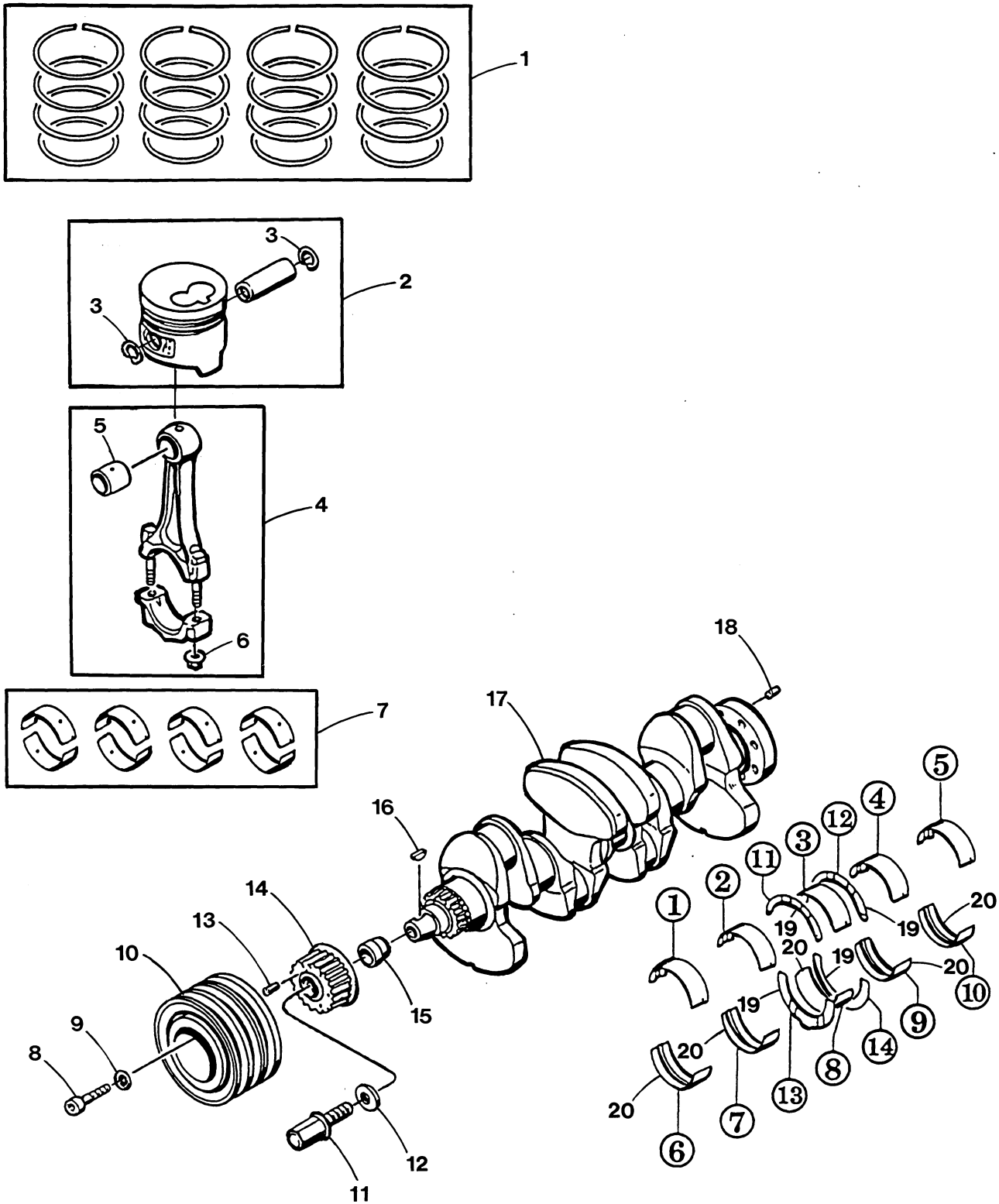


WESTERBEKE 55A FOUR - CYLINDER HEAD

| REF | PN     | NAME     | REMARKS                       | QUAN |
|-----|--------|----------|-------------------------------|------|
| 1   | 041819 | GASKET   | CYLINDER HEAD                 | 1    |
| 2   | 041807 | HEAD     | CYLINDER                      | 1    |
| 3   | 041809 | INSERT   | COMBUSTION INCLUDING REF 4    | 4    |
| 4   | 044020 | BALL     | STEEL                         | 4    |
| 5   | 041813 | GASKET   | LOWER THERMOSTAT HOUSING      | 1    |
| 6   | 041812 | HOUSING  | LOWER THERMOSTAT              | 1    |
| 7   | 044022 | CAPSCREW | M 8 X 115 JIS-FLANGE          | 1    |
| 8   | 041428 | CAPSCREW | M 8 X 90 JIS-FLANGE           | 1    |
| 9   | 024373 | PLUG     | EXPANSION 25MM DIN 443        | 2    |
| 10  | 041857 | SEAL     | OIL                           | 1    |
| 11  | 044019 | PLUG     |                               | 2    |
| 12  | 033625 | PLUG     | EXPANSION 12MM DIN 443        | 4    |
| 13  | 041808 | STUD     | CAMSHAFT BRACKET              | 10   |
| 14  | 015830 | STUD     | M 8 X 25 DIN 939              | 14   |
| 15  | 041820 | GUIDE    | VALVE INCLUDING CLIP          | 4    |
| 16  | 034118 | CLIP     | VALVE GUIDE                   | 8    |
| 17  | 041821 | GUIDE    | VALVE INCLUDING CLIP          | 4    |
| 18  | 033652 | SCREW    | M 4 X 8 TAPPING               | 11   |
| 19  | 041810 | NUT      | CAMSHAFT BRACKET              | 10   |
| 20  | 041818 | GASKET   | ROCKER COVER                  | 1    |
| 21  | 041815 | PLATE    | OIL BAFFLE                    | 1    |
| 22  | 041816 | COVER    | ROCKER INCL GASKET AND BAFFLE | 1    |
| 23  | 017298 | CLAMP    | HOSE 6                        | 2    |
| 24  | 040083 | HOSE     | BREATHER                      | 1    |
| 25  | 040151 | CAP      | OIL FILL INCLUDING GASKET     | 1    |
| 26  |        | GASKET   | OIL FILL CAP-SEE REF 25       | 1    |
| 27  | 041817 | STUD     |                               | 1    |
| 28  | 044031 | CAPSCREW | M 6 X 35 JIS-FLANGE DOG       | 7    |
| 29  | 041811 | BOLT     | CYLINDER HEAD                 | 10   |
| 30  | 041886 | CAP      | OIL SEAL                      | 1    |
| 31  | 013630 | CAPSCREW | M 8 X 25 DIN 933              | 2    |
| 32  | 041814 | EYE      | REAR LIFTING                  | 1    |
| 33  | 041828 | RETAINER | PLUG                          | 1    |
| 34  | 024374 | PLUG     | EXPANSION 30MM DIN 443        | 1    |



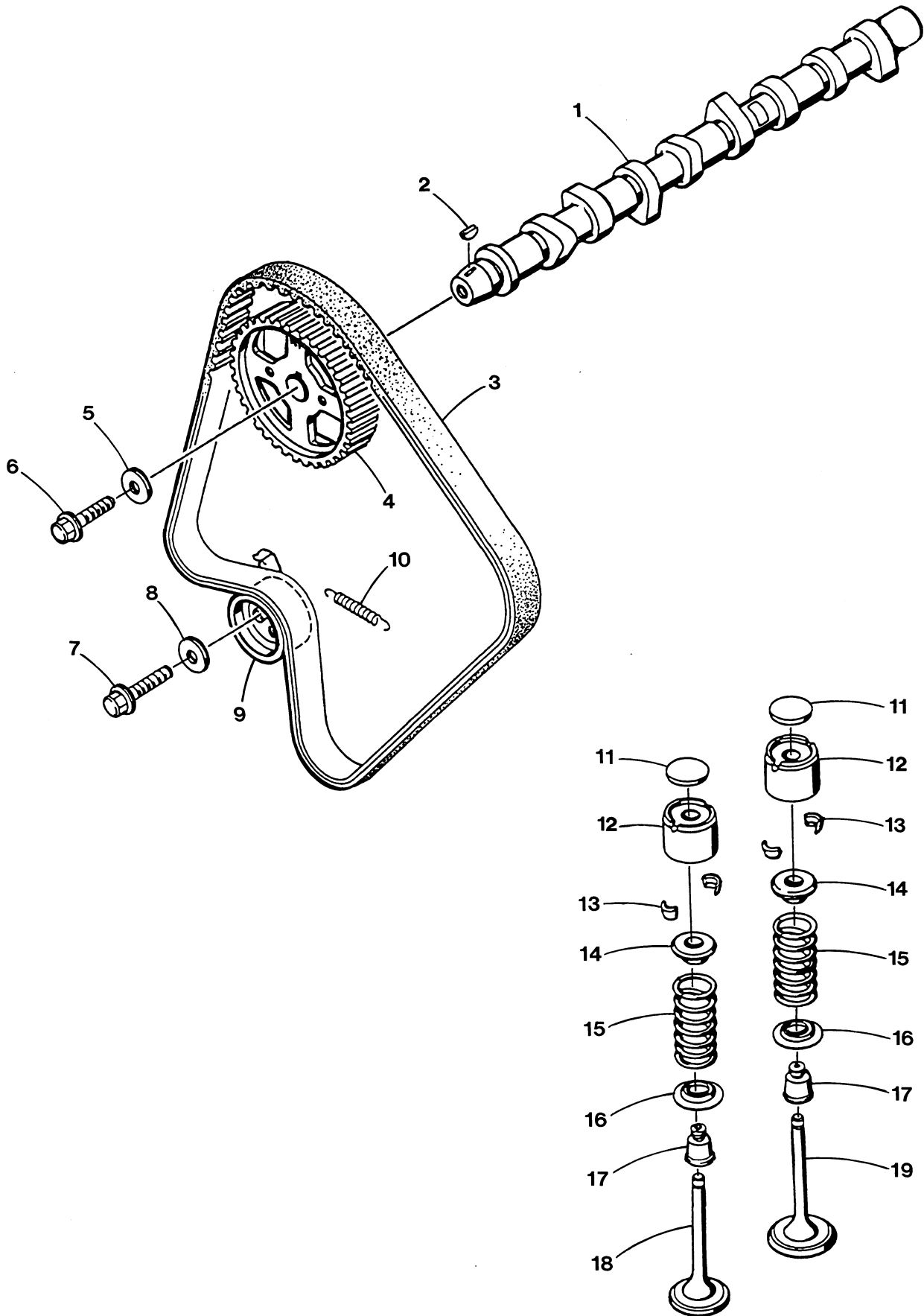
WESTERBEKE 55A FOUR - CRANKSHAFT - PISTONS



WESTERBEKE 55A FOUR - CRANKSHAFT - PISTONS

| REF  | PN     | NAME       | REMARKS                   | QUAN |
|------|--------|------------|---------------------------|------|
| 1    | 041874 | RING SET   | STD-ENGINE SET            | 1    |
| 2    | 041873 | PISTON     | STD INCL REF 3            | 4    |
| 3    | 041860 | RING       | RETAINING                 | 8    |
| 4    | 041861 | ROD        | CONNECTING                | 4    |
| 5    | 041862 | BUSHING    | CONNECTING ROD            | 4    |
| 6    | 030999 | NUT        | CONNECTING ROD            | 8    |
| 7-1  | 041950 | BEARING    | SET CONNECTING ROD STD    | 1    |
| 7-2  | 041951 | BEARING    | SET CONNECTING ROD 0.25MM | 1    |
| 7-3  | 041952 | BEARING    | SET CONNECTING ROD 0.50MM | 1    |
| 7-4  | 041953 | BEARING    | SET CONNECTING ROD 0.75MM | 1    |
| 8    | 041872 | BOLT       | CRANKSHAFT PULLEY         | 6    |
| 9    | 041868 | WASHER     | CRANKSHAFT PULLEY         | 6    |
| 10   | 041871 | PULLEY     | CRANKSHAFT 3 GROOVE       | 1    |
| 11   | 041869 | BOLT       | TIMING BELT PULLEY        | 1    |
| 12   | 041870 | WASHER     |                           | 1    |
| 13   | 044013 | DOWEL      | 4MM X 16MM DIN 6325       | 1    |
| 14   | 041866 | PULLEY     | TIMING BELT INCL REF 13   | 1    |
| 15   | 041867 | RING       | PULLEY                    | 1    |
| 16   | 041865 | KEY        | WOODRUFF                  | 1    |
| 17   | 041863 | CRANKSHAFT |                           | 1    |
| 18   | 044014 | DOWEL      | 6MM X 18MM                | 1    |
| 19-1 | 041954 | WASHER     | THRUST SET STD            | 1    |
| 19-2 | 041955 | WASHER     | THRUST SET OS             | 1    |
| 20-1 | 041956 | BEARING    | SET MAIN STD              | 1    |
| 20-2 | 041957 | BEARING    | SET MAIN 0.25MM           | 1    |
| 20-3 | 041958 | BEARING    | SET MAIN 0.50MM           | 1    |
| 20-4 | 041959 | BEARING    | SET MAIN 0.75MM           | 1    |

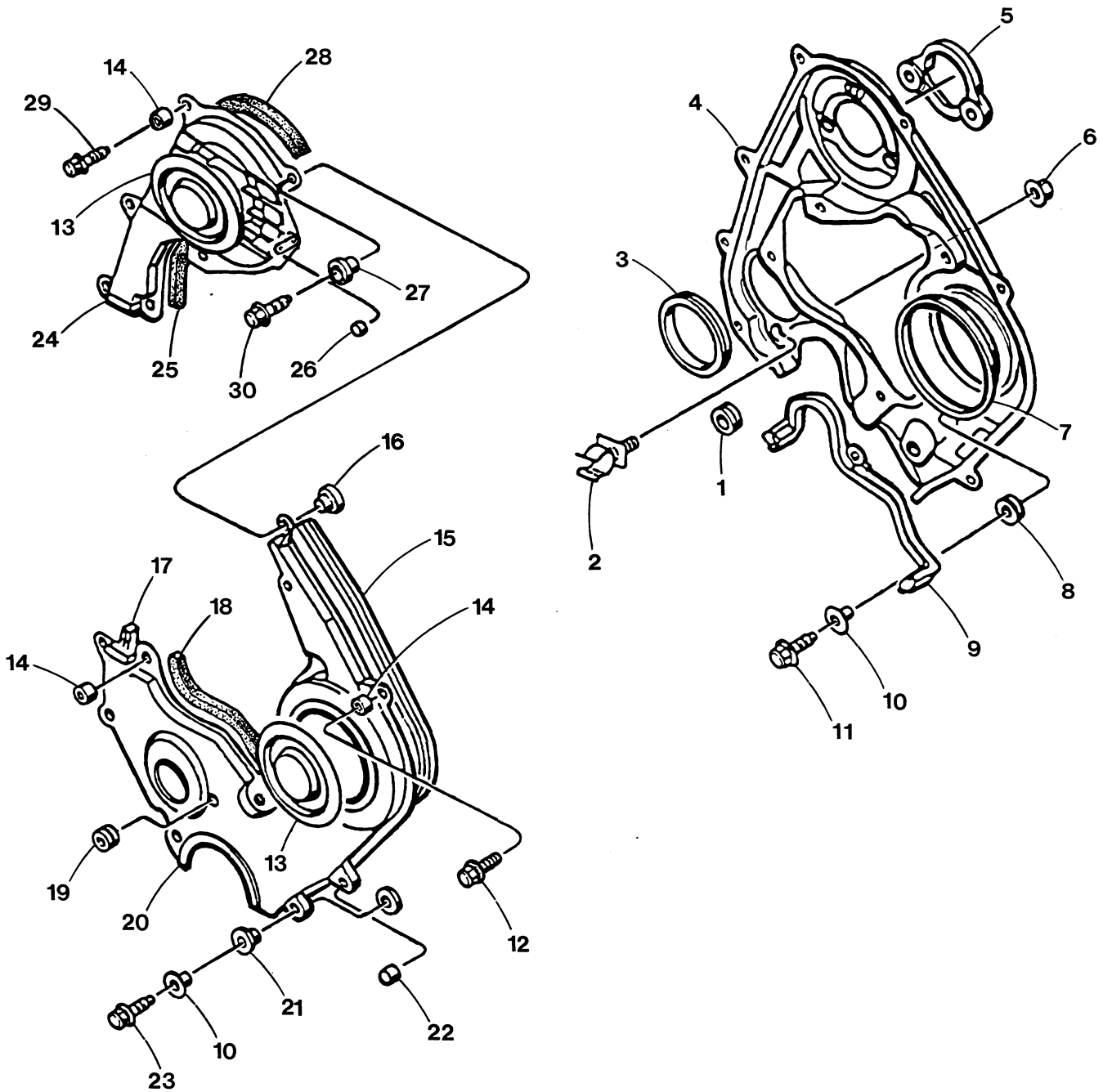
WESTERBEKE 55A FOUR - CAMSHAFT - VALVES - TIMING SYSTEM



WESTERBEKE 55A FOUR - CAMSHAFT - VALVES - TIMING SYSTEM

| REF   | PN     | NAME      | REMARKS                    | QUAN |
|-------|--------|-----------|----------------------------|------|
| 1     | 041881 | CAMSHAFT  |                            | 1    |
| 2     | 034170 | KEY       | WOODRUFF                   | 1    |
| 3     | 041880 | BELT      | TIMING                     | 1    |
| 4     | 041882 | PULLEY    | TIMING BELT-CAMSHAFT       | 1    |
| 5     | 041884 | WASHER    | CAMSHAFT PULLEY            | 1    |
| 6     | 041883 | BOLT      | TIMING BELT PULLEY         | 1    |
| 7     | 044024 | CAPSCREW  | M10 X 1.25 X 40 JIS-FLANGE | 1    |
| 8     | 044012 | WASHER    | TENSIONER                  | 1    |
| 9     | 041887 | TENSIONER | TIMING BELT                | 1    |
| 10    | 041888 | SPRING    | TENSIONER                  | 1    |
| 11- 1 | 041891 | SHIM      | 4.30MM                     | AR   |
| 11- 2 | 041892 | SHIM      | 4.25MM                     | AR   |
| 11- 3 | 041893 | SHIM      | 4.20MM                     | AR   |
| 11- 4 | 041894 | SHIM      | 4.15MM                     | AR   |
| 11- 5 | 041895 | SHIM      | 4.10MM                     | AR   |
| 11- 6 | 041896 | SHIM      | 4.05MM                     | AR   |
| 11- 7 | 041897 | SHIM      | 4.00MM                     | AR   |
| 11- 8 | 041898 | SHIM      | 3.95MM                     | AR   |
| 11- 9 | 041899 | SHIM      | 3.90MM                     | AR   |
| 11-10 | 041900 | SHIM      | 3.87MM                     | AR   |
| 11-11 | 041901 | SHIM      | 3.85MM                     | AR   |
| 11-12 | 041902 | SHIM      | 3.80MM                     | AR   |
| 11-13 | 041903 | SHIM      | 3.75MM                     | AR   |
| 11-14 | 041904 | SHIM      | 3.70MM                     | AR   |
| 12    | 041885 | TAPPET    |                            | 8    |
| 13    | 034142 | COTTER    | VALVE                      | 16   |
| 14    | 041876 | SEAT      | VALVE SPRING UPPER         | 8    |
| 15    | 041877 | SPRING    | VALVE                      | 8    |
| 16    | 041878 | SEAT      | VALVE SPRING LOWER         | 8    |
| 17    | 034115 | SEAL      | VALVE STEM OIL             | 8    |
| 18    | 041879 | VALVE     | EXHAUST                    | 4    |
| 19    | 041875 | VALVE     | INTAKE                     | 4    |

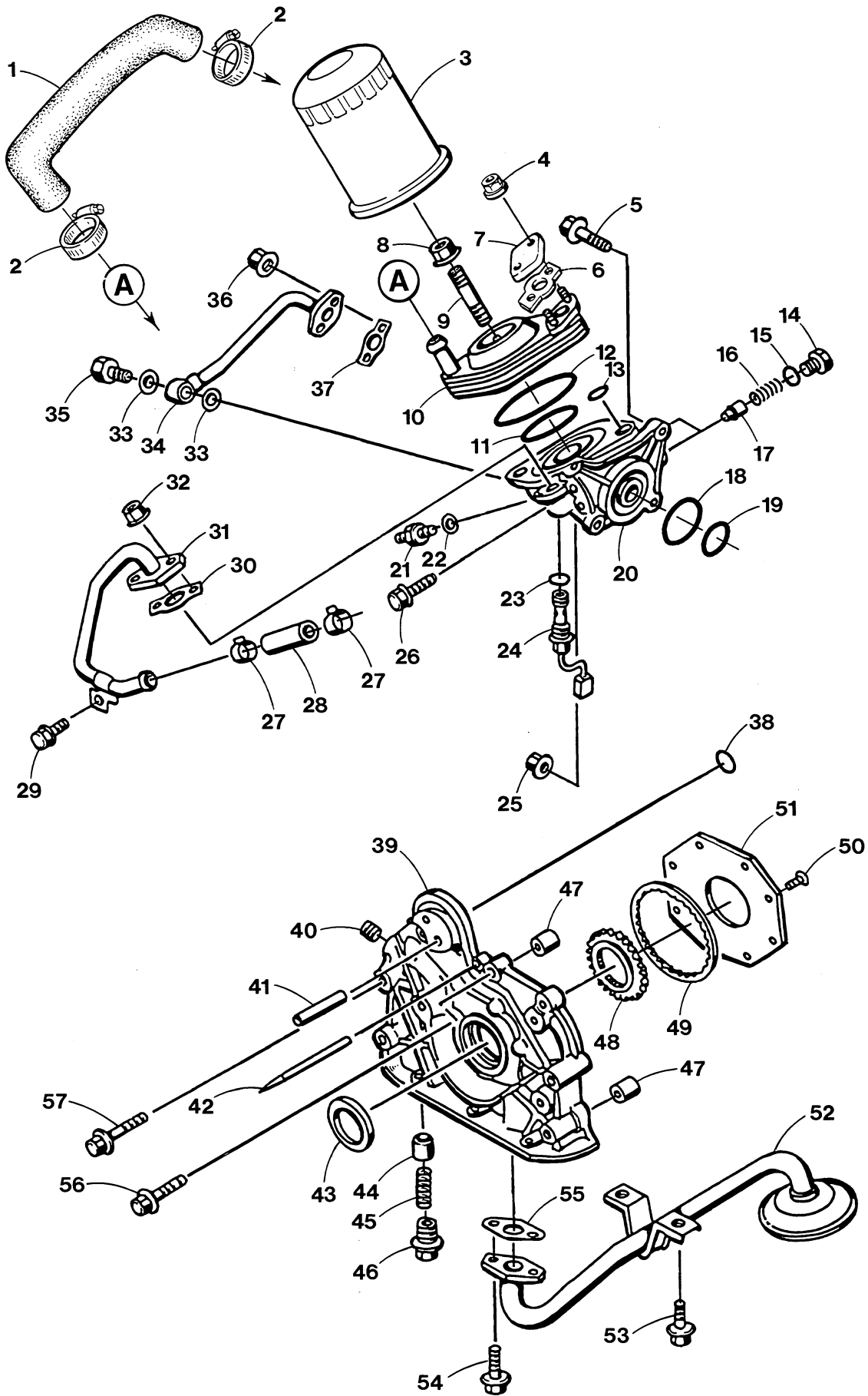
WESTERBEKE 55A FOUR - TIMING COVER



WESTERBEKE 55A FOUR - TIMING COVER

| REF | PN     | NAME     | REMARKS                          | QUAN |
|-----|--------|----------|----------------------------------|------|
| 1   | 041852 | SEAL     | RUBBER                           | 1    |
| 2   | 041890 | CLIP     | TENSIONER SPRING                 | 1    |
| 3   | 041851 | SEAL     | RUBBER                           | 1    |
| 4   | 041847 | PLATE    | TIMING COVER INCL REF 1 THRU 9   | 1    |
| 5   | 041850 | SEAL     | RUBBER                           | 1    |
| 6   | 041438 | NUT      | M10 X 1.25 JIS-FLANGE            | 1    |
| 7   | 041849 | SEAL     | RUBBER                           | 1    |
| 8   | 041848 | SEAL     | RUBBER                           | 3    |
| 9   | 041853 | SEAL     | RUBBER                           | 1    |
| 10  | 041854 | SPACER   | TIMING COVER SEAL                | 7    |
| 11  | 044021 | CAPSCREW | M 6 X 16 JIS-FLANGE BT           | 5    |
| 12  | 044030 | CAPSCREW | M 6 X 30 JIS-FLANGE DOG          | 1    |
| 13  | 041841 | CAP      | TIMING COVER                     | 2    |
| 14  | 041839 | INSERT   | TIMING COVER                     | 7    |
| 15  | 041842 | SEAL     | RUBBER                           | 1    |
| 16  | 041835 | INSERT   | TIMING COVER                     | 3    |
| 17  | 041845 | SEAL     | RUBBER                           | 1    |
| 18  | 041846 | SEAL     | RUBBER                           | 1    |
| 19  | 041843 | SEAL     | INDICATOR PIN                    | 1    |
| 20  | 041840 | COVER    | LOWER TIMING INCL REF 13 THRU 22 | 1    |
| 21  | 041844 | SEAL     | RUBBER                           | 2    |
| 22  | 041837 | INSERT   | TIMING COVER                     | 1    |
| 23  | 044029 | CAPSCREW | M 6 X 20 JIS-FLANGE DOG          | 6    |
| 24  | 041832 | COVER    | TIMING                           | 1    |
| 25  | 041836 | SEAL     | RUBBER                           | 1    |
| 26  | 041838 | INSERT   | TIMING COVER                     | 1    |
| 27  | 041834 | INSERT   | TIMING COVER                     | 3    |
| 28  | 041833 | GASKET   | TIMING COVER                     | 1    |
| 29  | 044030 | CAPSCREW | M 6 X 30 JIS-FLANGE DOG          | 6    |
| 30  | 044032 | CAPSCREW | M 6 X 45 JIS-FLANGE DOG          | 1    |

WESTERBEKE 55A FOUR - LUBE OIL FILTER AND PUMP

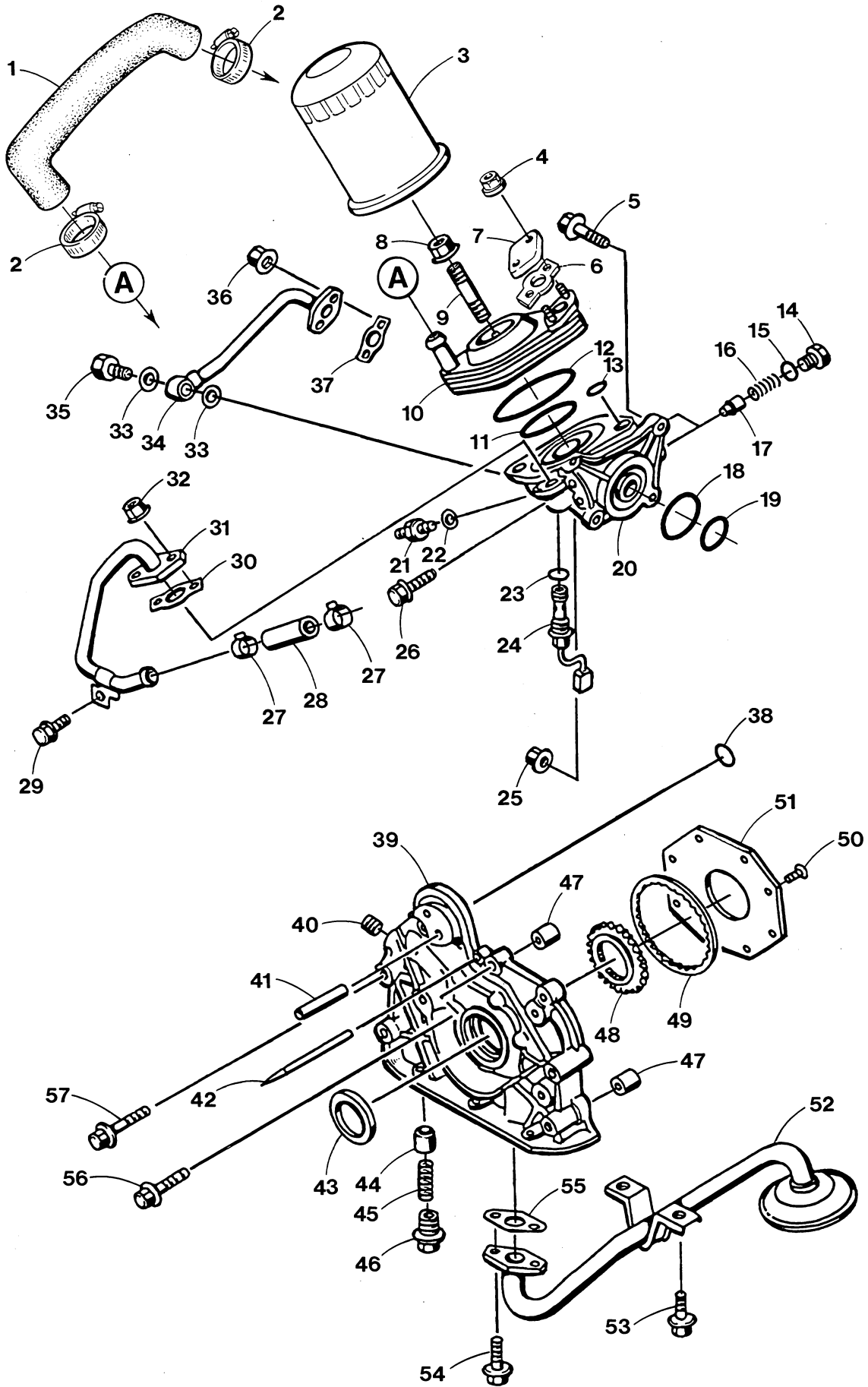


WESTERBEKE 55A FOUR - LUBE OIL FILTER AND PUMP

| REF | PN     | NAME     | REMARKS                               | QUAN |
|-----|--------|----------|---------------------------------------|------|
| 1   | 040084 | HOSE     | OIL COOLER TO FRESH WATER PUMP        | 1    |
| 2   | 301083 | CLAMP    | HOSE 10                               | 2    |
| 3   | 035828 | FILTER   | LUBE OIL                              | 1    |
| 4   | 036211 | NUT      | M 6 JIS-FLANGE                        | 2    |
| 5   | 044023 | CAPSCREW | M10 X 1.25 X 25 JIS-FLANGE            | 2    |
| 6   | 041949 | GASKET   | COOLER COVER                          | 1    |
| 7   | 039818 | COVER    | COOLER                                | 1    |
| 8   | 041963 | NUT      | OIL ADAPTER NIPPLE                    | 1    |
| 9   | 041938 | NIPPLE   | OIL ADAPTER                           | 1    |
| 10  | 041935 | COOLER   | LUBE OIL                              | 1    |
| 11  | 041961 | O-RING   |                                       | 1    |
| 12  | 041962 | O-RING   |                                       | 1    |
| 13  | 041939 | O-RING   |                                       | 1    |
| 14  | 032731 | PLUG     |                                       | 2    |
| 15  | 032861 | O-RING   |                                       | 2    |
| 16  | 041936 | SPRING   | OIL RELIEF VALVE                      | 2    |
| 17  | 024470 | PLUNGER  | OIL RELIEF VALVE                      | 2    |
| 18  | 041932 | O-RING   |                                       | 1    |
| 19  | 041960 | O-RING   |                                       | 1    |
| 20  | 041964 | HOUSING  | OIL ADAPTER INCL REF 9 & 14 THRU 24   | 1    |
| 21  | 041420 | PLUG     | M10 X 1.25                            | 1    |
| 22  | 011944 | WASHER   | BANJO M10                             | 1    |
| 23  | 041937 | O-RING   |                                       | 1    |
| 24  | 041965 | SWITCH   | OIL BYPASS ALARM INCL O-RING          | 1    |
| 25  | 041438 | NUT      | M10 X 1.25 JIS-FLANGE                 | 2    |
| 26  | 034565 | CAPSCREW | M 6 X 10 JIS-FLANGE                   | 1    |
| 27  | 011341 | CLAMP    | HOSE 8                                | 2    |
| 28  | 044209 | HOSE     | THERMOSTAT HOUSING TO OIL COOLER LINE | 1    |
| 29  | 034677 | CAPSCREW | M10 X 16 DIN 933                      | 1    |
| 30  | 041949 | GASKET   | LINE TO COOLER                        | 1    |
| 31  | 041948 | LINE     | THERMOSTAT HOUSING TO COOLER          | 1    |
| 32  | 036211 | NUT      | M 6 JIS-FLANGE                        | 2    |
| 33  | 034449 | WASHER   | BANJO M14                             | 2    |
| 34  | 041933 | LINE     | COOLER TO BLOCK                       | 1    |
| 35  | 044018 | BOLT     | BANJO                                 | 1    |
| 36  | 036211 | NUT      | M 6 JIS-FLANGE                        | 2    |
| 37  | 041934 | GASKET   | LINE TO BLOCK                         | 1    |

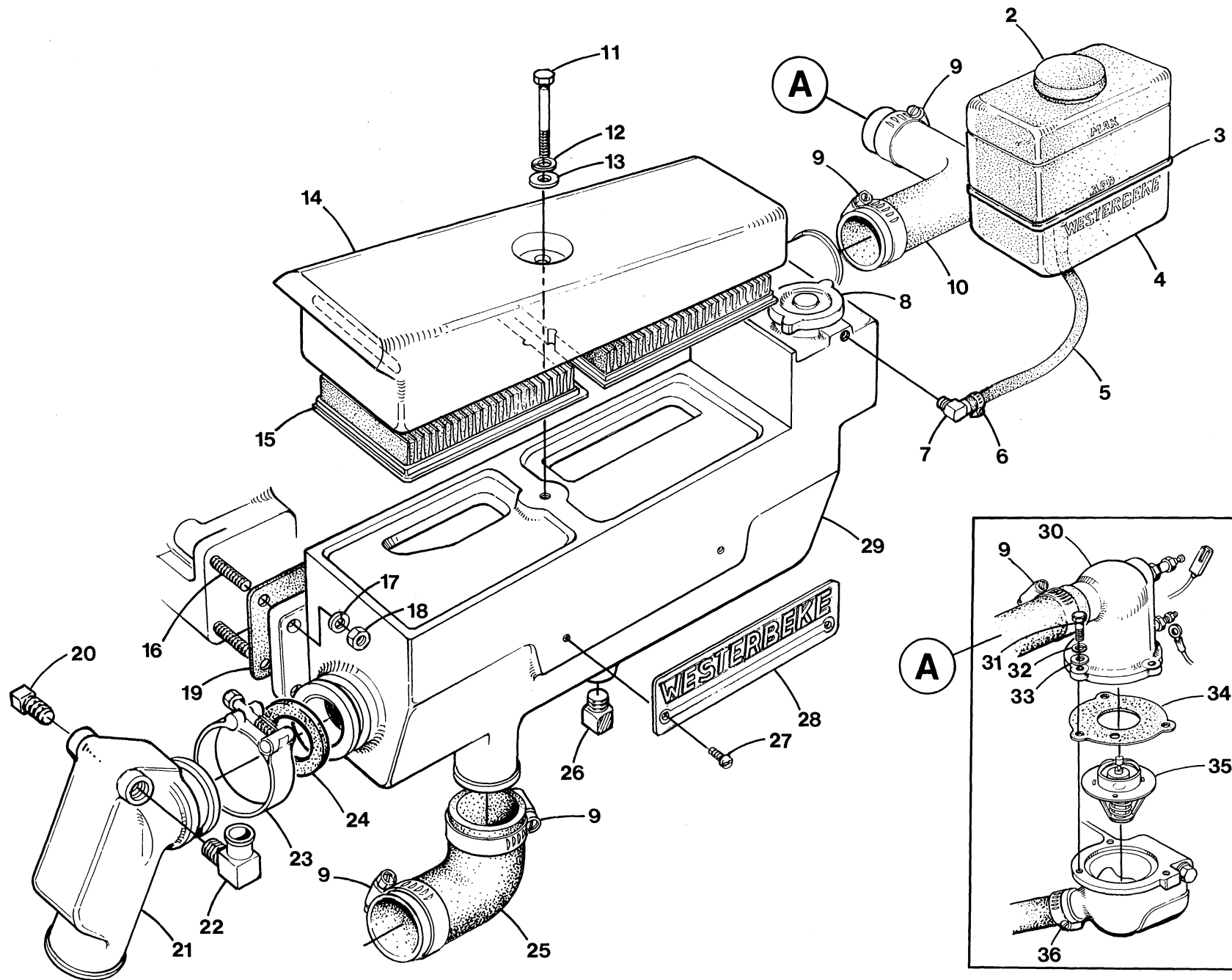


WESTERBEKE 55A FOUR - LUBE OIL FILTER AND PUMP



WESTERBEKE 55A FOUR - LUBE OIL FILTER AND PUMP

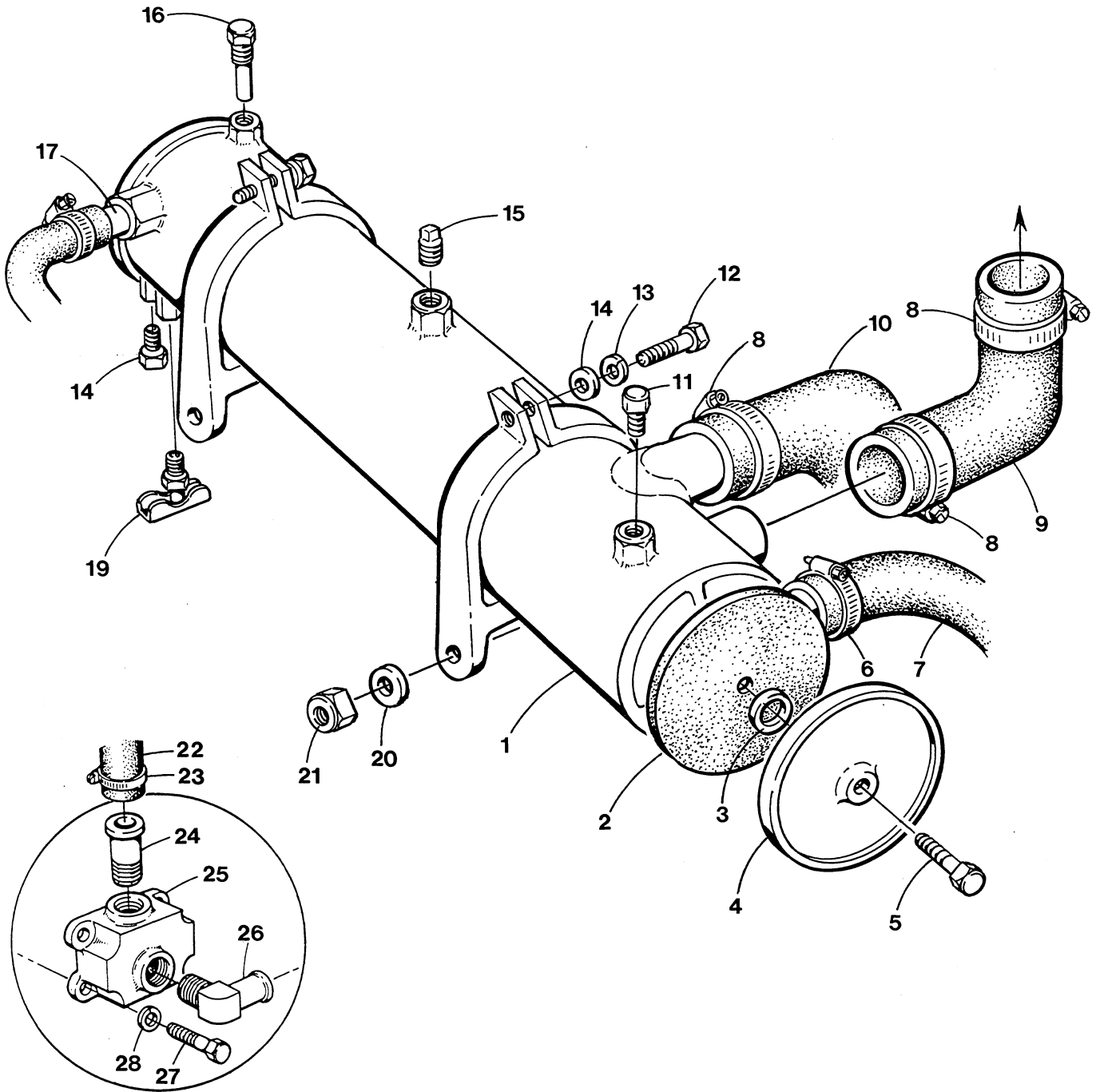
| REF | PN     | NAME     | REMARKS                      | QUAN |
|-----|--------|----------|------------------------------|------|
| 38  | 041967 | O-RING   |                              | 1    |
| 39  | 041925 | PUMP     | LUBE OIL INCL REF 39 THRU 51 | 1    |
| 40  | 044210 | PLUG     | OIL PUMP                     | 1    |
| 41  | 044015 | DOWEL    | 10MM X 45MM DIN 6325         | 1    |
| 42  | 041831 | POINTER  | TIMING                       | 1    |
| 43  | 040790 | SEAL     | OIL                          | 1    |
| 44  | 034122 | PLUNGER  | OIL RELIEF VALVE             | 1    |
| 45  | 041930 | SPRING   | OIL RELIEF VALVE             | 1    |
| 46  | 041926 | PLUG     | OIL RELIEF VALVE             | 1    |
| 47  | 040775 | DOWEL    | TUBULAR                      | 2    |
| 48  | 041928 | GEAR     | OIL PUMP INNER               | 1    |
| 49  | 041929 | GEAR     | OIL PUMP OUTER               | 1    |
| 50  | 040845 | SCREW    | OIL PUMP COVER               | 8    |
| 51  | 041927 | COVER    | OIL PUMP                     | 1    |
| 52  | 041931 | STRAINER | OIL PICKUP                   | 1    |
| 53  | 044028 | CAPSCREW | M 6 X 16 JIS-FLANGE DOG      | 2    |
| 54  | 044029 | CAPSCREW | M 6 X 20 JIS-FLANGE DOG      | 2    |
| 55  | 040849 | GASKET   | STRAINER TO PUMP             | 1    |
| 56  | 041425 | CAPSCREW | M 6 X 20 JIS-FLANGE DOG      | 3    |
| 57  | 044025 | CAPSCREW | M10 X 1.25 X 55 JIS-FLANGE   | 4    |



WESTERBEKE 55A FOUR - AIR FILTER - MANIFOLD - COOLING SYSTEM

| REF  | PN     | NAME       | REMARKS                                  | QUAN |
|------|--------|------------|--|------|
| 1    | 024977 | KIT        | COOLANT RECOVERY TANK INCL REF 2 THRU 6  | 1    |
| 2    | 024858 | CAP        | COOLANT RECOVERY TANK                    | 1    |
| 3    | 024704 | TANK       | COOLANT RECOVERY                         | 1    |
| 4    | 024786 | STRAP      | COOLANT RECOVERY TANK MOUNTING           | 1    |
| 5    | 024637 | TUBING     | MANIFOLD TO TANK - INCHES REQUIRED       | 60   |
| 6    | 024906 | CLAMP      | HOSE                                     | 2    |
| 7    | 024907 | ELBOW      | MANIFOLD TO RECOVERY TANK HOSE           | 1    |
| 8    | 024306 | CAP        | PRESSURE                                 | 1    |
| 9    | 038193 | CLAMP      | HOSE 28                                  | 4    |
| 10   | 037629 | HOSE       | THERMOSTAT TO MANIFOLD                   | 1    |
| 11   | 034397 | CAPSCREW   | M 6 X 65 DIN 931                         | 1    |
| 12   | 031783 | LOCKWASHER | M 6 DIN 127                              | 1    |
| 13   | 031784 | WASHER     | M 6 DIN 125                              | 1    |
| 14   | 040947 | COVER      | INTAKE MANIFOLD FILTER                   | 1    |
| 15   | 039705 | FILTER     | AIR                                      | 2    |
| 16   | 015830 | STUD       | M 8 X 25 DIN 939                         | 14   |
| 17   | 031786 | LOCKWASHER | M 8 DIN 127                              | 14   |
| 18   | 018242 | NUT        | M 8 DIN 934                              | 14   |
| 19   | 039703 | GASKET     | EXHAUST MANIFOLD TO HEAD                 | 1    |
| 20   | 035747 | PLUG       | 1/2NPT BRASS SQUARE HEAD                 | 1    |
| 21-1 | 037401 | ELBOW KIT  | 90 WATER INJECTED EXHAUST INCL REF 20-24 | 1    |
| 21-2 | 037402 | ELBOW KIT  | 45 WATER INJECTED EXHAUST INCL REF 20-24 | 1    |
| 22   | 036616 | ELBOW      | 1/2NPT TO 1" HOSE                        | 1    |
| 23   | 036541 | CLAMP      | EXHAUST ELBOW TO MANIFOLD                | 1    |
| 24   | 036425 | GASKET     | EXHAUST ELBOW TO MANIFOLD                | 1    |
| 25   | 039820 | HOSE       | MANIFOLD TO EXCHANGER                    | 1    |
| 26   | 035747 | PLUG       | 1/2NPT BRASS SQUARE HEAD                 | 1    |
| 27   | 031935 | SCREW      | 8-32 X 1/4 SS OVAL HEAD                  | 2    |
| 28   | 035411 | NAMEPLATE  |  | 1    |
| 29   | 041801 | MANIFOLD   | INTAKE-EXHAUST                           | 1    |
| 30   | 039652 | HOUSING    | THERMOSTAT                               | 1    |
| 31   | 018804 | CAPSCREW   | M 6 X 20 DIN 933                         | 3    |
| 32   | 031783 | LOCKWASHER | M 6 DIN 127                              | 3    |
| 33   | 031784 | WASHER     | M 6 DIN 125                              | 3    |
| 34   | 039651 | GASKET     | THERMOSTAT                               | 1    |
| 35   | 024688 | THERMOSTAT | 180F                                     | 1    |
| 36   | 011341 | CLAMP      | HOSE 8                                   | 1    |

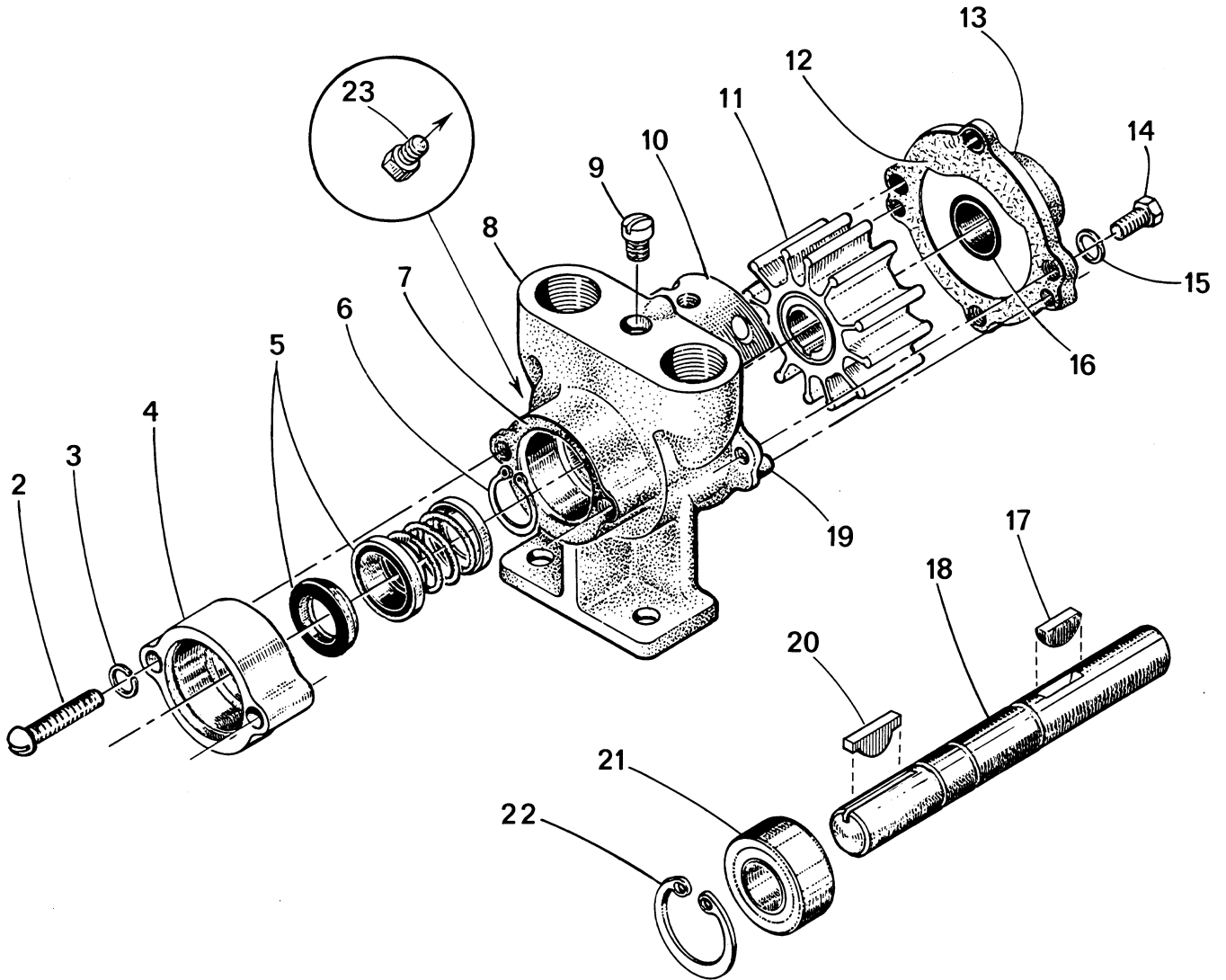
WESTERBEKE 55A FOUR - HEAT EXCHANGER - HBW TRANSMISSION COOLER



WESTERBEKE 55A FOUR - HEAT EXCHANGER - HBW TRANSMISSION COOLER

| REF | PN     | NAME       | REMARKS                               | QUAN |
|-----|--------|------------|---------------------------------------|------|
| 1   | 040164 | EXCHANGER  | HEAT                                  | 1    |
| 2   | 033300 | GASKET     | EXCHANGER END COVER                   | 2    |
| 3   | 019321 | O-RING     | EXCHANGER END COVER                   | 2    |
| 4   | 033299 | COVER      | EXCHANGER END                         | 2    |
| 5   | 022852 | CAPSCREW   | 3/8NC X 3/4 BRASS                     | 2    |
| 6   | 011386 | CLAMP      | HOSE 12                               | 1    |
| 7   | 011779 | HOSE       | 1" ID WIRE INSERTED - INCHES REQUIRED | 23   |
| 8   | 038193 | CLAMP      | HOSE 28                               | 3    |
| 9   | 039820 | HOSE       | MANIFOLD TO EXCHANGER                 | 1    |
| 10  | 039821 | HOSE       | EXCHANGER TO FRESH WATER PUMP         | 1    |
| 11  | 013341 | PLUG       | 1/4NPT HEX HEAD BRASS                 | 1    |
| 12  | 031506 | CAPSCREW   | 1/4NC X 1-1/4                         | 2    |
| 13  | 031752 | LOCKWASHER | 1/4                                   | 2    |
| 14  | 031753 | WASHER     | 1/4 FLAT                              | 2    |
| 15  | 035747 | PLUG       | 1/2NPT BRASS SQUARE HEAD              | 1    |
| 16  | 011885 | ZINC       |                                       | 1    |
| 17  | 036622 | NIPPLE     | 3/4NPT TO 1" HOSE                     | 1    |
| 18  | 019369 | PLUG       | 1/8NPT HEX HEAD BRASS                 | 1    |
| 19  | 011471 | PETCOCK    | 1/8NPT                                | 1    |
| 20  | 031786 | LOCKWASHER | M 8 DIN 127                           | 2    |
| 21  | 018242 | NUT        | M 8 DIN 934                           | 2    |
| 22  | 011779 | HOSE       | 1" ID WIRE INSERTED - INCHES REQUIRED | AR   |
| 23  | 011405 | CLAMP      | HOSE 16                               | 2    |
| 24  | 036622 | NIPPLE     | 3/4NPT TO 1" HOSE                     | 1    |
| 25  | 040036 | COOLER     | HBW TRANSMISSION                      | 1    |
| 26  | 036614 | ELBOW      | 3/4NPT TO 1" HOSE                     | 1    |
| 27  | 017196 | CAPSCREW   | M 8 X 20 DIN 933                      | 4    |
| 28  | 031786 | LOCKWASHER | M 8 DIN 127                           | 4    |

WESTERBEKE 55A FOUR - SEA WATER PUMP

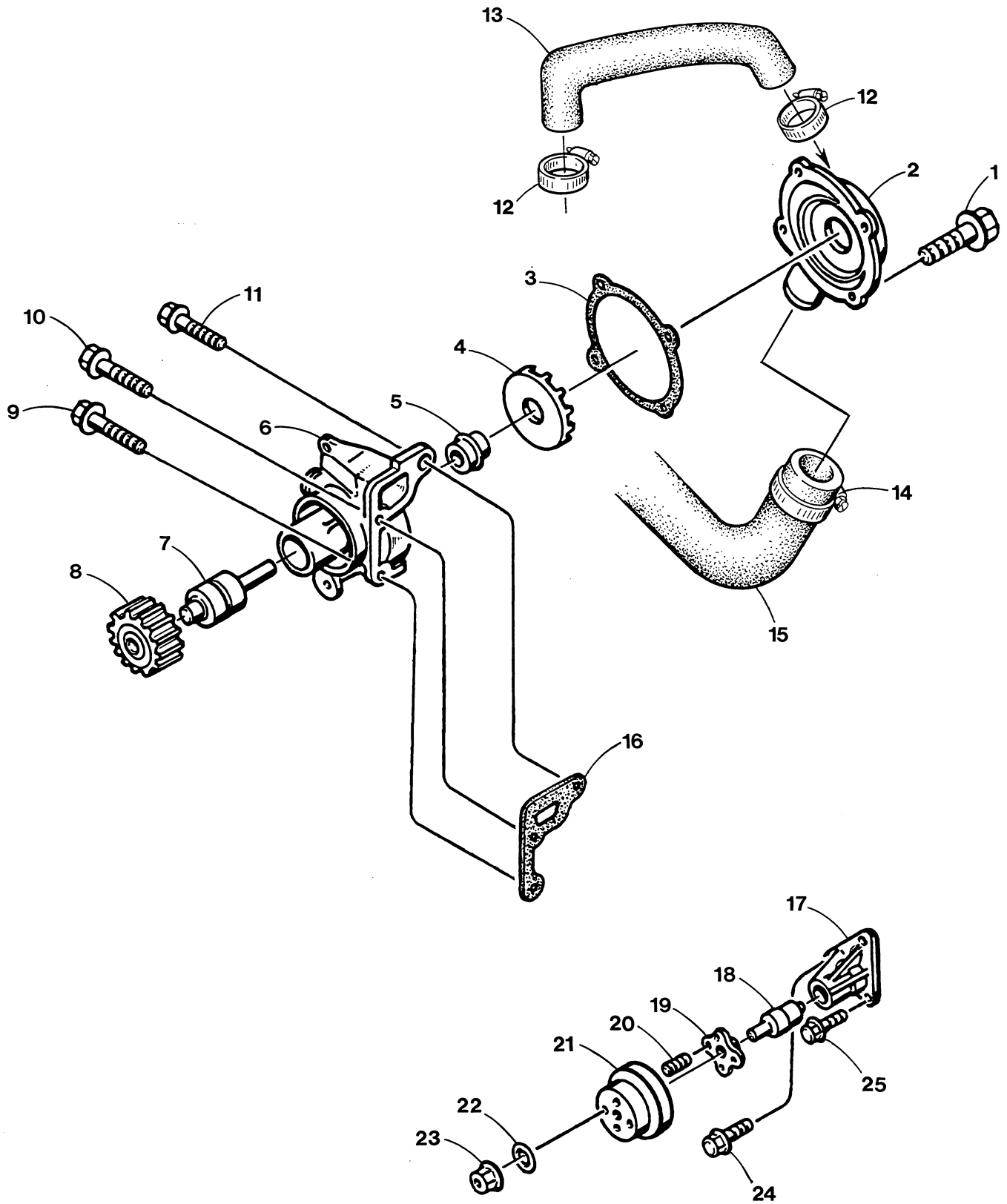


WESTERBEKE 55A FOUR - SEA WATER PUMP

| REF | PN     | NAME       | REMARKS  | QUAN |
|-----|--------|------------|--|------|
| 1   | 038445 | PUMP       | SEA WATER  | 1    |
| 2   | 018147 | SCREW      | BEARING HOUSING TO PUMP                          | 2    |
| 3   | 032183 | LOCKWASHER |  | 2    |
| 4   | 018180 | HOUSING    | BEARING  | 1    |
| 5   | 014774 | SEAL       | INCLUDING SEAT                                   | 1    |
| 6   | 018145 | RING       | RETAINING  | 3    |
| 7   | 018154 | GASKET     | BEARING HOUSING TO PUMP HOUSING                  | 1    |
| 8   | 039867 | HOUSING    | PUMP BODY  | 1    |
| 9   | 018151 | SCREW      | PUMP HOUSING TO CAM                              | 1    |
| 10  | 018152 | CAM        |  | 1    |
| 11  | 011907 | IMPELLER   | INCLUDING GASKET                                 | 1    |
| 12  | 011419 | GASKET     | IMPELLER COVER                                   | 1    |
| 13  | 018153 | COVER      | IMPELLER INCLUDING BUSHING                       | 1    |
| 14  | 018143 | CAPSCREW   |  | 4    |
| 15  | 032183 | LOCKWASHER |  | 4    |
| 16  | 018149 | BUSHING    | SHAFT END  | 1    |
| 17  | 018148 | KEY        | IMPELLER TO SHAFT                                | 1    |
| 18  | 018164 | SHAFT      |  | 1    |
| 19  | 018142 | DOWEL      | COVER TO PUMP HOUSING                            | 2    |
| 20  | 022392 | KEY        | SEA WATER PUMP SHAFT TO PULLEY                   | 1    |
| 21  | 018144 | BEARING    |  | 1    |
| 22  | 018146 | RING       | RETAINING  | 1    |
| 23  | 019369 | PLUG       | 1/8NPT HEX HEAD BRASS                            | 1    |
| 24  | 033329 | KIT        | PUMP REPAIR INCL 6, 7, 9, 10, 11, 12, 16, 21, 22 | 1    |



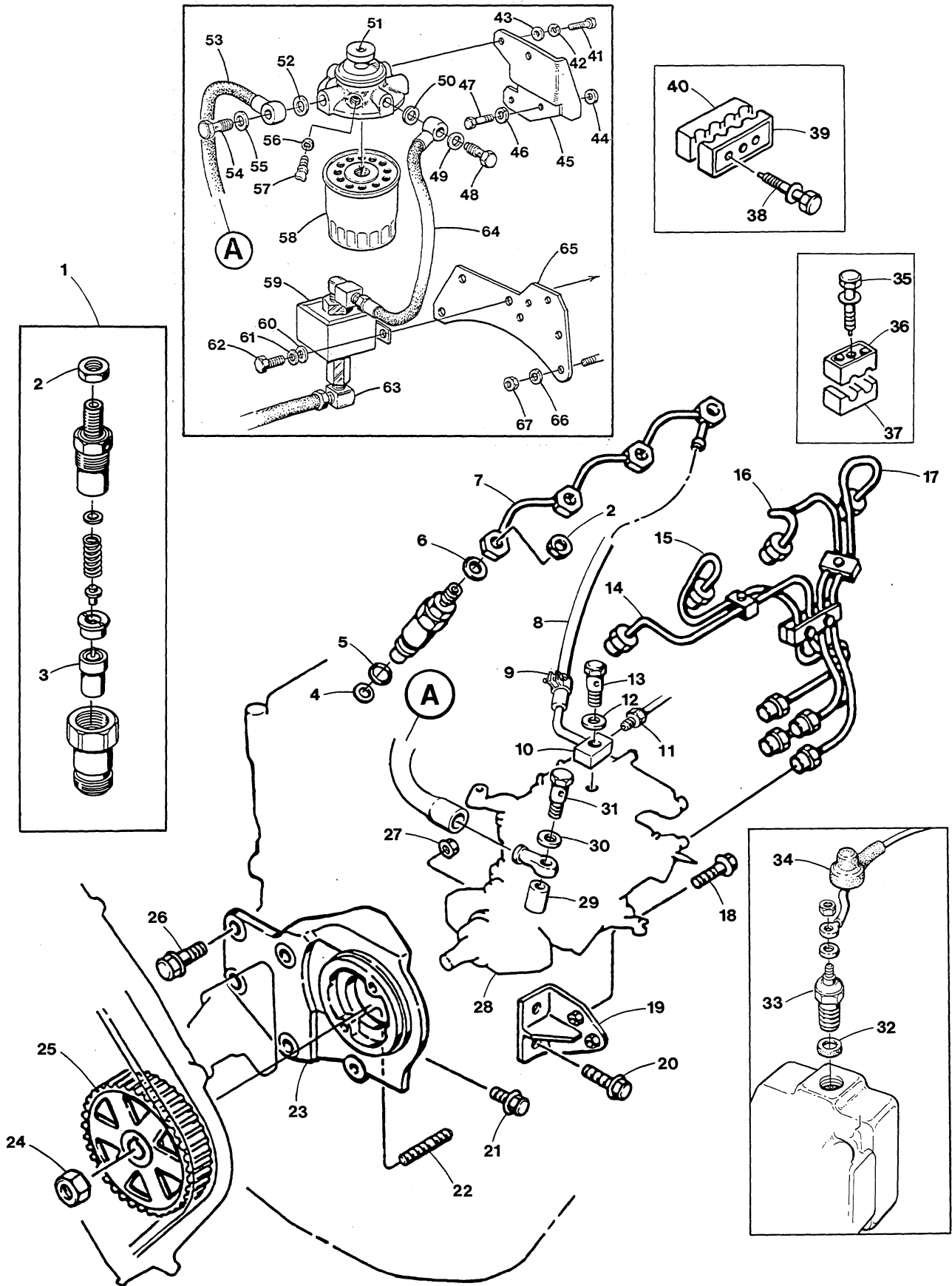
WESTERBEKE 55A FOUR - FRESH WATER PUMP - IDLER PULLEY



WESTERBEKE 55A FOUR - FRESH WATER PUMP - IDLER PULLEY

| REF  | PN     | NAME     | REMARKS                               | QUAN |
|------|--------|----------|---------------------------------------|------|
| 1    | 033654 | CAPSCREW | M 8 X 20 JIS-FLANGE                   | 4    |
| 2    | 041943 | COVER    | FRESH WATER PUMP                      | 1    |
| 3    | 041941 | GASKET   | PUMP COVER                            | 1    |
| 4    |        | IMPELLER | SEE REF 6                             | 1    |
| 5    | 040364 | SEAL     |                                       | 1    |
| 6    | 041940 | PUMP     | FRESH WATER INCLUDING REF 1 THRU 8    | 1    |
| 7    |        | SHAFT    | SEE REF 6                             | 1    |
| 8    |        | GEAR     | SEE REF 6                             | 1    |
| 9    | 044026 | CAPSCREW | M10 X 1.25 X 90 JIS-FLANGE            | 1    |
| 10   | 033653 | CAPSCREW | M10 X 1.25 X 95 JIS-FLANGE            | 1    |
| 11   | 044023 | CAPSCREW | M10 X 1.25 X 25 JIS-FLANGE            | 1    |
| 12   | 301083 | CLAMP    | HOSE 10                               | 2    |
| 13   | 040084 | HOSE     | OIL COOLER TO PUMP                    | 1    |
| 14   | 021122 | CLAMP    | HOSE 24                               | 1    |
| 15   | 039821 | HOSE     | EXCHANGER TO PUMP                     | 1    |
| 16   | 041944 | GASKET   | FRESH WATER PUMP TO BLOCK             | 1    |
| 17   | 041945 | BRACKET  | IDLER PULLEY INCLUDING REF 17 THRU 20 | 1    |
| 18   | 041947 | SHAFT    | IDLER PULLEY INCLUDING BEARING        | 1    |
| 19   | 041942 | FLANGE   | IDLER PULLEY                          | 1    |
| 20   | 015828 | STUD     | M 8 X 22 DIN 939                      | 4    |
| 21   | 041946 | PULLEY   | IDLER 1 GROOVE                        | 1    |
| 22   | 033381 | WASHER   |                                       | 4    |
| 23   | 033668 | NUT      | M 8 JIS-FLANGE                        | 4    |
| 24-1 | 031926 | CAPSCREW | M10 X 35 DIN 933                      | 1    |
| 24-2 | 033622 | CAPSCREW | M10 X 1.25 X 35 JIS-FLANGE            | 1    |
| 25-1 | 034590 | CAPSCREW | M10 X 40 DIN 933                      | 2    |
| 25-2 | 044024 | CAPSCREW | M10 X 1.25 X 40 JIS-FLANGE            | 2    |

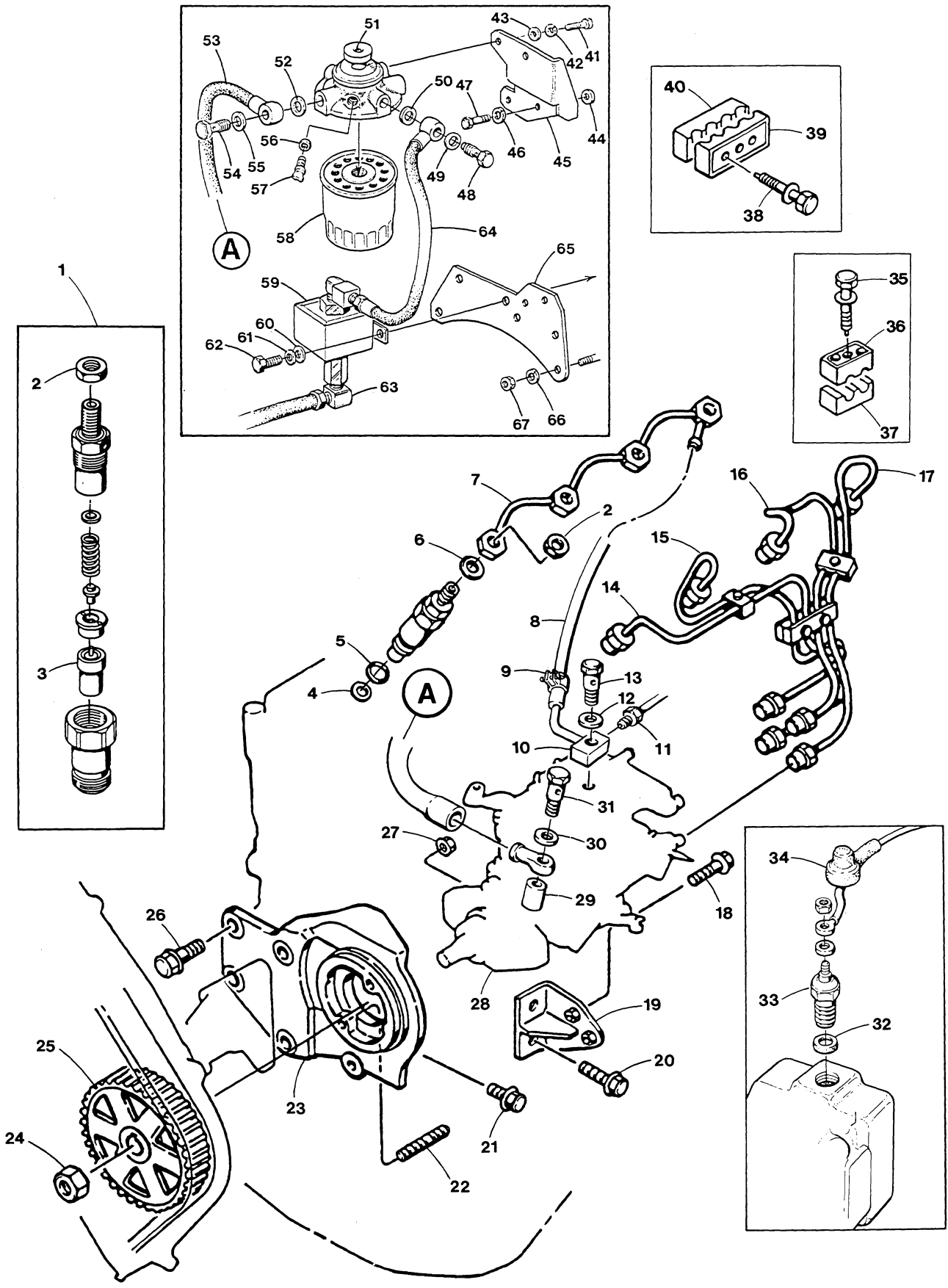
# WESTERBEKE 55A FOUR - FUEL SYSTEM



WESTERBEKE 55A FOUR - FUEL SYSTEM

| REF | PN     | NAME      | REMARKS                        | QUAN |
|-----|--------|-----------|--------------------------------|------|
| 1   | 041905 | INJECTOR  |                                | 4    |
| 2   | 041924 | NUT       | INJECTOR                       | 4    |
| 3   | 041906 | NOZZLE    | INJECTOR                       | 4    |
| 4   | 041907 | GASKET    | INJECTOR                       | 4    |
| 5   | 024454 | WASHER    | INJECTOR NOZZLE                | 4    |
| 6   | 031021 | GASKET    | INJECTOR TO RETURN LINE        | 4    |
| 7   | 041908 | LINE      | INJECTOR RETURN                | 1    |
| 8   | 040135 | HOSE      | INJECTOR RETURN TO PUMP        | 1    |
| 9   | 040384 | CLAMP     | HOSE                           | 2    |
| 10  | 040134 | BANJO     | FUEL RETURN                    | 1    |
| 11  | 013346 | CONNECTOR | MALE 1/8NPT X 3/16 COMPRESSION | 1    |
| 12  | 024501 | BOLT      | BANJO                          | 1    |
| 13  | 024498 | WASHER    | BANJO M12                      | 2    |
| 14  | 041909 | LINE      | INJECTOR 1                     | 1    |
| 15  | 041910 | LINE      | INJECTOR 2                     | 1    |
| 16  | 041911 | LINE      | INJECTOR 3                     | 1    |
| 17  | 041912 | LINE      | INJECTOR 4                     | 1    |
| 18  | 036642 | CAPSCREW  | M 8 X 25 JIS-FLANGE            | 1    |
| 19  | 041921 | BRACKET   | INJECTION PUMP SUPPORT         | 1    |
| 20  | 033651 | CAPSCREW  | M10 X 1.25 X 20 JIS-FLANGE     | 2    |
| 21  | 044023 | CAPSCREW  | M10 X 1.25 X 25 JIS-FLANGE     | 1    |
| 22  | 015830 | STUD      | M 8 X 25 DIN 939               | 2    |
| 23  | 041919 | BRACKET   | INJECTION PUMP MOUNT           | 1    |
| 24  | 041918 | NUT       | INJECTION PUMP PULLEY          | 1    |
| 25  | 041920 | PULLEY    | INJECTION PUMP DRIVE           | 1    |
| 26  | 018813 | CAPSCREW  | M10 X 20 DIN 933               | 1    |
| 27  | 033668 | NUT       | M 8 JIS-FLANGE                 | 2    |
| 28  | 041970 | PUMP      | INJECTION                      | 1    |
| 29  | 044208 | SPACER    |                                | 1    |
| 30  | 024498 | WASHER    | BANJO M12                      | 3    |
| 31  | 044207 | BOLT      | BANJO                          | 1    |
| 32  | 024339 | O-RING    | FUEL SOLENOID                  | 1    |
| 33  | 024338 | SOLENOID  | FUEL SHUTOFF 12VDC             | 1    |
| 34  | 039672 | WIRE      | SOLENOID INCLUDING BOOT        | 1    |
| 35  | 041915 | BOLT      | FUEL LINE CLAMP                | 2    |
| 36  | 041913 | CLAMP     | FUEL LINE                      | 2    |
| 37  | 041914 | CLAMP     | FUEL LINE                      | 2    |
| 38  | 041915 | BOLT      | FUEL LINE CLAMP                | 2    |
| 39  | 041916 | CLAMP     | FUEL LINE                      | 1    |
| 40  | 041917 | CLAMP     | FUEL LINE                      | 1    |

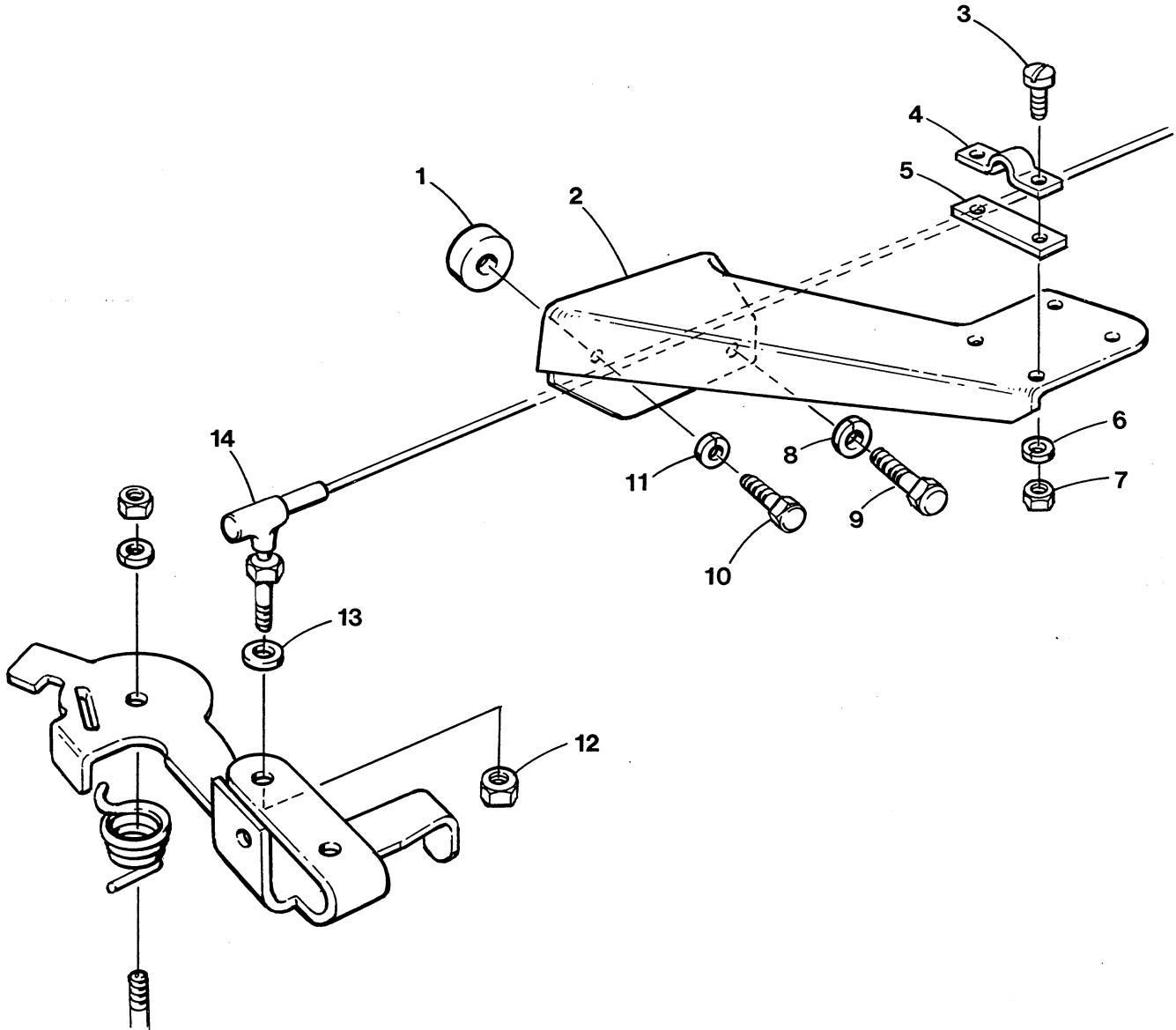
WESTERBEKE 55A FOUR - FUEL SYSTEM



WESTERBEKE 55A FOUR - FUEL SYSTEM

| REF  | PN     | NAME       | REMARKS                             | QUAN |
|------|--------|------------|-------------------------------------|------|
| 41   | 017196 | CAPSCREW   | M 8 X 20 DIN 933                    | 2    |
| 42   | 031786 | LOCKWASHER | M 8 DIN 127                         | 2    |
| 43   | 031787 | WASHER     | M 8 DIN 125                         | 2    |
| 44   | 033381 | WASHER     | SPACER                              | 2    |
| 45   | 040016 | BRACKET    | FUEL FILTER                         | 1    |
| 46   | 031786 | LOCKWASHER | M 8 DIN 127                         | 2    |
| 47   | 013630 | CAPSCREW   | M 8 X 25 DIN 933                    | 2    |
| 48   | 030139 | BOLT       | BANJO                               | 1    |
| 49-1 | 030291 | WASHER     | BANJO M14                           | 1    |
| 49-2 | 024972 | WASHER     | BANJO M14 ALUMINUM                  | 1    |
| 50   | 030290 | WASHER     | BANJO M12                           | 1    |
| 51   | 041971 | FILTER     | FUEL ASSEMBLY                       | 1    |
| 52   | 030290 | WASHER     | BANJO M12                           | 1    |
| 53   | 040906 | HOSE       | FILTER TO INJECTION PUMP            | 1    |
| 54   | 030139 | BOLT       | BANJO                               | 1    |
| 55-1 | 030291 | WASHER     | BANJO M14                           | 1    |
| 55-2 | 024972 | WASHER     | BANJO M14 ALUMINUM                  | 1    |
| 56   | 041977 | O-RING     | BLEED SCREW                         | 1    |
| 57   | 041976 | SCREW      | FILTER BLEED                        | 1    |
| 58   | 024363 | FILTER     | FUEL                                | 1    |
| 59   | 039275 | PUMP       | FUEL LIFT 12VDC                     | 1    |
| 60   | 031784 | WASHER     | M 6 DIN 125                         | 2    |
| 61   | 031783 | LOCKWASHER | M 6 DIN 127                         | 2    |
| 62   | 031810 | CAPSCREW   | M 6 X 14 DIN 933                    | 2    |
| 63   | 013340 | ELBOW      | 1/8NPT STREET 90 BRASS              | 1    |
| 64   | 034741 | HOSE       | LIFT PUMP TO FILTER INCLUDING ELBOW | 1    |
| 65   | 040015 | BRACKET    | LIFT PUMP-CIRCUIT BREAKER-SOLENOID  | 1    |
| 66   | 031786 | LOCKWASHER | M 8 DIN 127                         | 2    |
| 67   | 018242 | NUT        | M 8 DIN 934                         | 2    |

WESTERBEKE 55A FOUR - THROTTLE CABLE CONNECTION

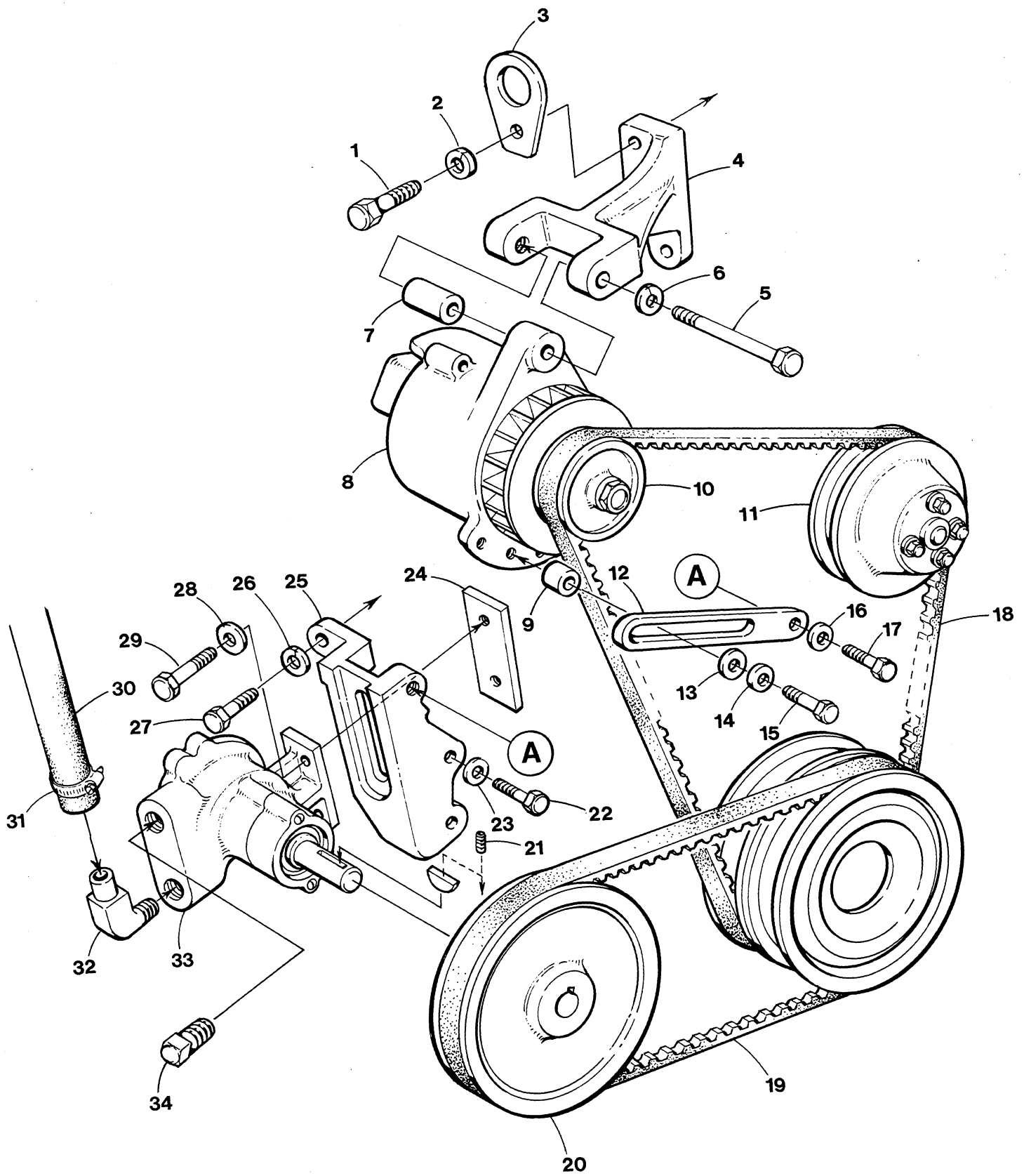


WESTERBEKE 55A FOUR - THROTTLE CABLE CONNECTION

| REF  | PN     | NAME       | REMARKS                 | QUAN |
|------|--------|------------|-------------------------|------|
| 1    | 040406 | SPACER     |                         | 1    |
| 2    | 040129 | BRACKET    | THROTTLE CABLE          | 1    |
| 3    | 031873 | SCREW      | 10-32 X 5/8 SS BH       | 2    |
| 4    | 013325 | CLAMP      | CABLE                   | 1    |
| 5    | 013870 | SHIM       | CABLE CLAMP             | 1    |
| 6    | 031849 | LOCKWASHER | 10 SS                   | 2    |
| 7    | 031847 | NUT        | 10-32 SS                | 2    |
| 8    | 019262 | LOCKWASHER | M10 DIN 127             | 1    |
| 9    | 024951 | CAPSCREW   | M10 X 1.25 X 20 DIN 961 | 1    |
| 10   | 020628 | CAPSCREW   | M 6 X 25 DIN 933        | 1    |
| 11   | 031783 | LOCKWASHER | M 6 DIN 127             | 1    |
| 12   | 031847 | NUT        | 10-32 SS                | 1    |
| 13-1 | 031848 | WASHER     | 10 FLAT SS              | 1    |
| 13-2 | 031849 | LOCKWASHER | 10 SS                   | 1    |
| 14   | 019364 | BALL JOINT |                         | 1    |



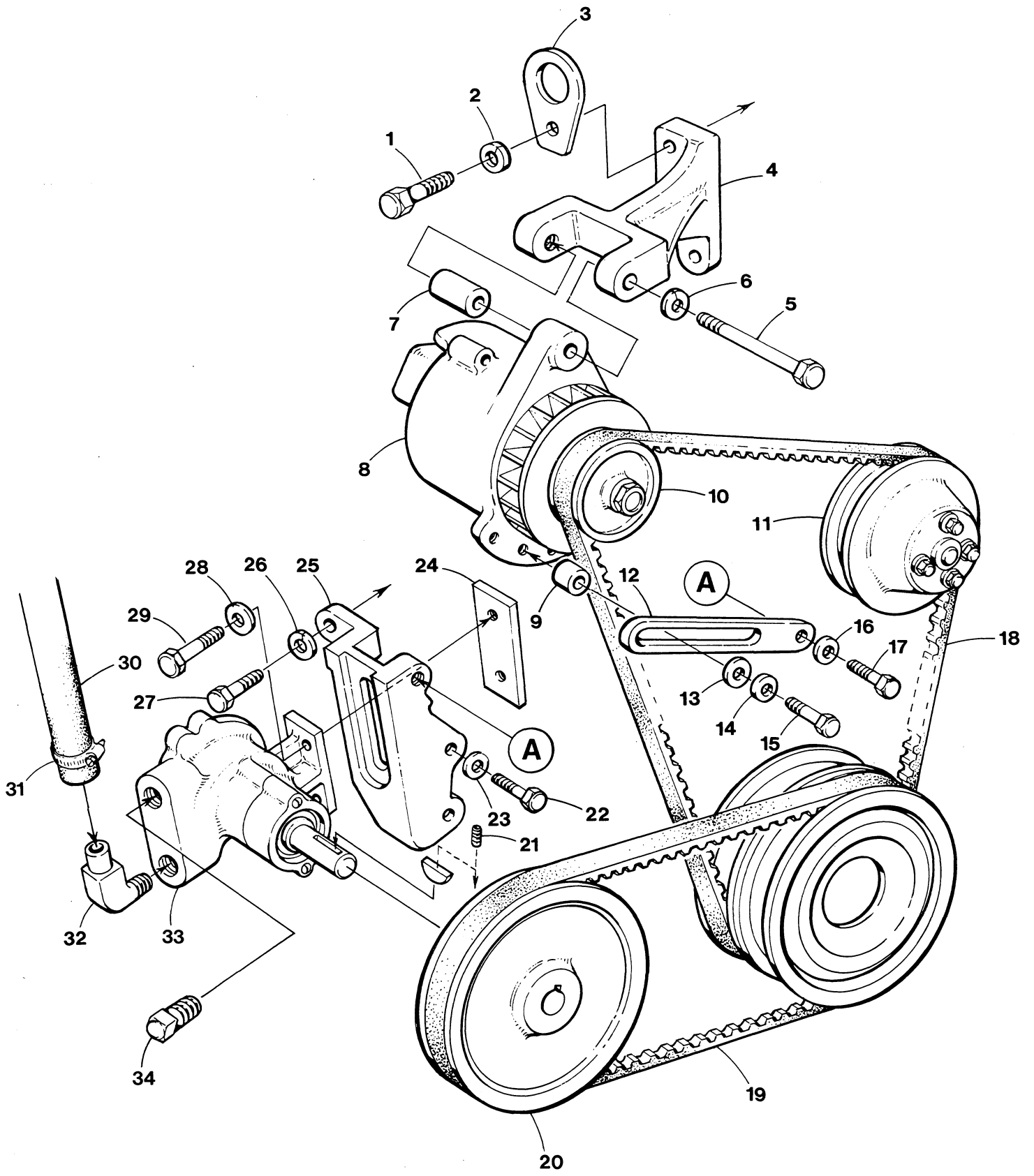
WESTERBEKE 55A FOUR - ALTERNATOR - SEA WATER PUMP - BELTS



WESTERBEKE 55A FOUR - ALTERNATOR - SEA WATER PUMP - BELTS

| REF  | PN     | NAME       | REMARKS                      | QUAN |
|------|--------|------------|------------------------------|------|
| 1    | 031228 | CAPSCREW   | M10 X 1.25 X 30 DIN 961      | 2    |
| 2    | 019262 | LOCKWASHER | M10 DIN 127                  | 2    |
| 3    | 040630 | EYE        | LIFTING                      | 1    |
| 4-1  | 039752 | BRACKET    | ALTERNATOR 50 AMP            | 1    |
| 4-2  | 039759 | BRACKET    | ALTERNATOR 90-190 AMP        | 1    |
| 5-1  | 031718 | CAPSCREW   | 1/2NC X 4-1/4 BRACKET 39752  | 1    |
| 5-2  | 031618 | CAPSCREW   | 3/8NC X 4-1/4 BRACKET 39759  | 1    |
| 6-1  | 031776 | LOCKWASHER | 1/2                          | 1    |
| 6-2  | 031764 | LOCKWASHER | 3/8                          | 1    |
| 7-1  | 039758 | SPACER     | 50 AMP                       | 1    |
| 7-2  | 033473 | SPACER     | 90 AMP                       | 1    |
| 8-1  | 039790 | ALTERNATOR | 50 AMP 12VDC W/REGULATOR     | 1    |
| 8-2  | 030735 | ALTERNATOR | 90 AMP 12VDC W/REGULATOR     | 1    |
| 8-3  | 038792 | ALTERNATOR | 135 AMP 12VDC                | 1    |
| 8-4  | 038891 | REGULATOR  | 135 AMP ALTERNATOR           | 1    |
| 8-5  | 038793 | ALTERNATOR | 160 AMP 12VDC                | 1    |
| 8-6  | 038794 | ALTERNATOR | 190 AMP 12VDC                | 1    |
| 8-7  | 038892 | REGULATOR  | 160-190 AMP ALTERNATOR       | 1    |
| 9    | 040602 | SPACER     |                              | 1    |
| 10-1 | 039354 | PULLEY     | 50 AMP                       | 1    |
| 10-2 | 042332 | PULLEY     | 90 AMP                       | 1    |
| 10-3 | 041035 | PULLEY     | 135-190 AMP                  | 1    |
| 11-1 | 041946 | PULLEY     | IDLER 1 GROOVE               | 1    |
| 11-2 | 040022 | PULLEY     | IDLER 2 GROOVE               | 1    |
| 12-1 | 033064 | STRAP      | ADJUSTING                    | 1    |
| 12-2 | 035338 | STRAP      | ADJUSTING 135 AMP ALTERNATOR | 1    |
| 13-1 | 033381 | WASHER     | 5/16                         | 1    |
| 13-2 | 031765 | WASHER     | 3/8 FLAT                     | 1    |
| 14-1 | 031758 | LOCKWASHER | 5/16                         | 1    |
| 14-2 | 031764 | LOCKWASHER | 3/8                          | 1    |
| 15-1 | 031556 | CAPSCREW   | 5/16NC X 1-1/4               | 1    |
| 15-2 | 031608 | CAPSCREW   | 3/8NC X 1-3/4                | 1    |
| 16   | 031758 | LOCKWASHER | 5/16                         | 1    |
| 17   | 031553 | CAPSCREW   | 5/16NC X 3/4                 | 1    |
| 18-1 | 032977 | BELT       | 50 AMP ALTERNATOR            | 1    |
| 18-2 | 039181 | BELT       | 90-190 AMP ALTERNATOR        | 2    |

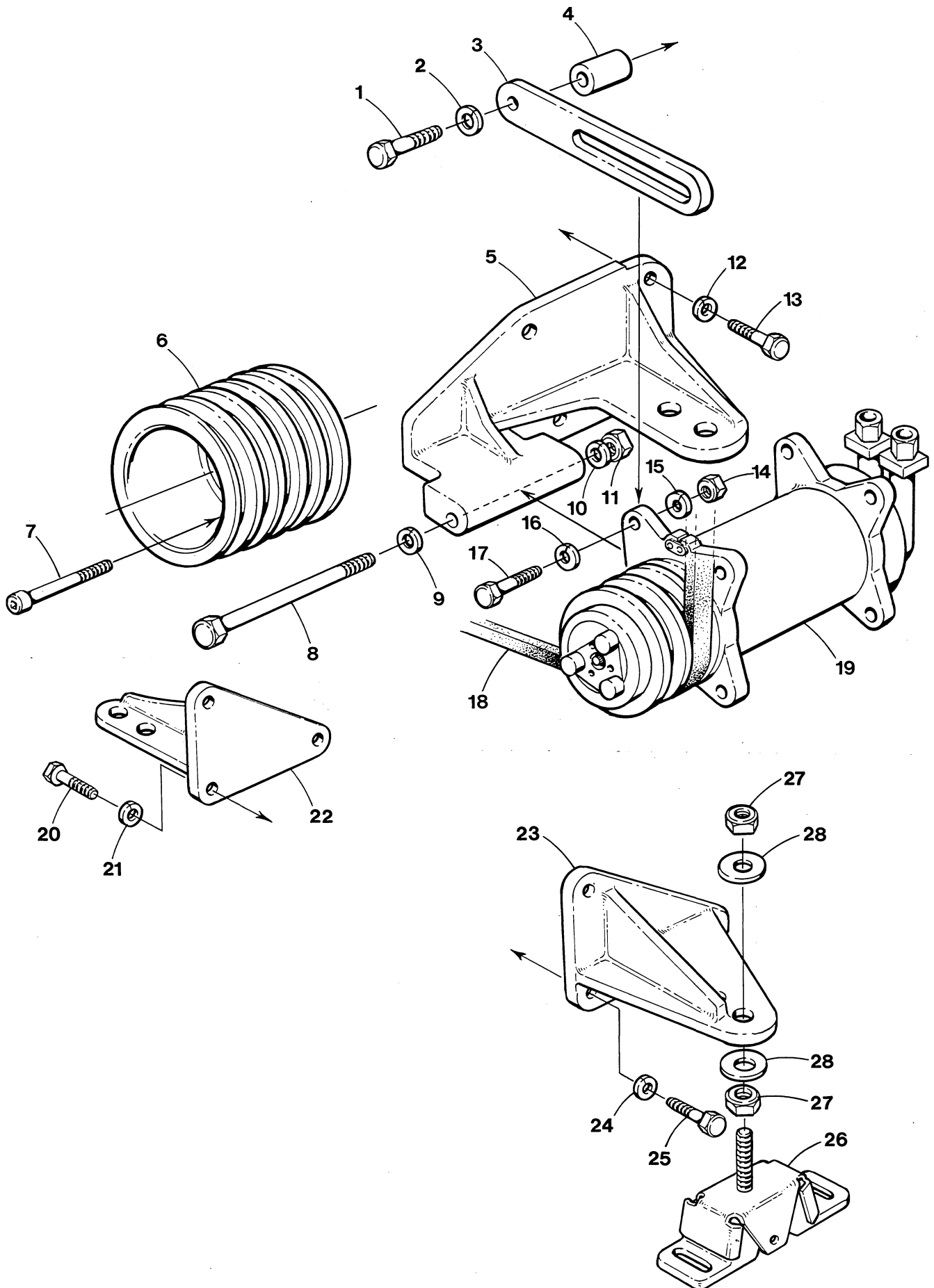
WESTERBEKE 55A FOUR - ALTERNATOR - SEA WATER PUMP - BELTS



WESTERBEKE 55A FOUR - ALTERNATOR - SEA WATER PUMP - BELTS

| REF | PN     | NAME       | REMARKS                               | QUAN |
|-----|--------|------------|---------------------------------------|------|
| 19  | 040018 | BELT       | SEA WATER PUMP                        | 1    |
| 20  | 040136 | PULLEY     | SEA WATER PUMP                        | 1    |
| 21  | 040562 | SETSCREW   | M 8                                   | 1    |
| 22  | 031823 | CAPSCREW   | M10 X 1.25 X 80 DIN 961               | 2    |
| 23  | 019262 | LOCKWASHER | M10 DIN 127                           | 2    |
| 24  | 038435 | PLATE      | SEA WATER PUMP ADJUSTING              | 1    |
| 25  | 039754 | BRACKET    | SEA WATER PUMP                        | 1    |
| 26  | 019262 | LOCKWASHER | M10 DIN 127                           | 1    |
| 27  | 041331 | CAPSCREW   | M10 X 1.25 X 100 DIN 960              | 1    |
| 28  | 031764 | LOCKWASHER | 3/8                                   | 2    |
| 29  | 031631 | CAPSCREW   | 3/8NF X 1-1/4                         | 2    |
| 30  | 011779 | HOSE       | 1" ID WIRE INSERTED - INCHES REQUIRED | 23   |
| 31  | 011386 | CLAMP      | HOSE 12                               | 1    |
| 32  | 036614 | ELBOW      | 3/4NPT TO 1" HOSE                     | 1    |
| 33  | 038445 | PUMP       | SEA WATER                             | 1    |
| 34  | 036622 | NIPPLE     | 3/4NPT TO 1" HOSE                     | 1    |

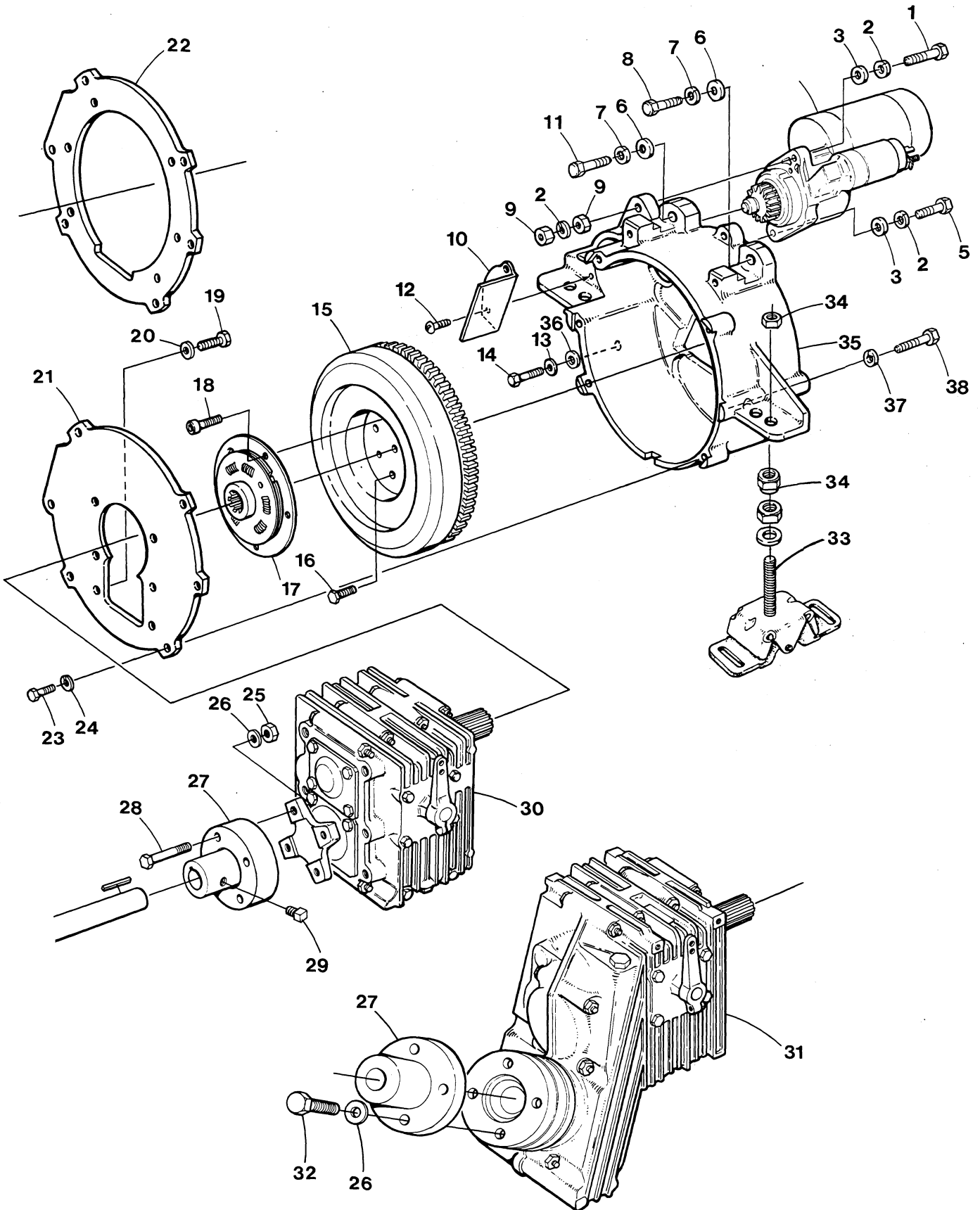
WESTERBEKE 55A FOUR - FRONT MOUNTS - COMPRESSOR MOUNTING SYSTEM



WESTERBEKE 55A FOUR - FRONT MOUNTS - COMPRESSOR MOUNTING SYSTEM

| REF | PN     | NAME       | REMARKS                    | QUAN |
|-----|--------|------------|----------------------------|------|
| 1   | 033653 | CAPSCREW   | M10 X 1.25 X 95 JIS-FLANGE | 1    |
| 2   | 019262 | LOCKWASHER | M10 DIN 127                | 1    |
| 3   | 042295 | STRAP      | COMPRESSOR ADJUSTING       | 1    |
| 4   | 041023 | SPACER     |                            | 1    |
| 5   | 040436 | MOUNT      | FRONT LEFT AND COMPRESSOR  | 1    |
| 6   | 040922 | PULLEY     | CRANKSHAFT 5 GROOVE        | 1    |
| 7   | 031925 | CAPSCREW   | M 8 X 35 DIN 912           | 6    |
| 8   | 031671 | CAPSCREW   | 7/16NC X 5                 | 1    |
| 9   | 031771 | WASHER     | 7/16 FLAT                  | 1    |
| 10  | 031770 | LOCKWASHER | 7/16                       | 1    |
| 11  | 031768 | NUT        | 7/16NC                     | 1    |
| 12  | 019262 | LOCKWASHER | M10 DIN 127                | 4    |
| 13  | 031228 | CAPSCREW   | M10 X 1.25 X 30 DIN 961    | 4    |
| 14  | 031766 | NUT        | 3/8NF                      | 1    |
| 15  | 031764 | LOCKWASHER | 3/8                        | 1    |
| 16  | 031765 | WASHER     | 3/8 FLAT                   | 1    |
| 17  | 031632 | CAPSCREW   | 3/8NF X 1-1/2              | 1    |
| 18  | 041024 | BELT       | COMPRESSOR DRIVE           | 1    |
| 19  |        | COMPRESSOR | SUPPLIED BY OTHERS         | 1    |
| 20  | 031228 | CAPSCREW   | M10 X 1.25 X 30 DIN 961    | 3    |
| 21  | 019262 | LOCKWASHER | M10 DIN 127                | 3    |
| 22  | 041722 | MOUNT      | FRONT RIGHT                | 1    |
| 23  | 041720 | MOUNT      | FRONT LEFT                 | 1    |
| 24  | 019262 | LOCKWASHER | M10 DIN 127                | 3    |
| 25  | 031228 | CAPSCREW   | M10 X 1.25 X 30 DIN 961    | 3    |
| 26  | 040511 | ISOLATOR   | INCLUDING LOCKNUTS         | 2    |
| 27  | 040966 | NUT        | M16 JAM SELF LOCKING       | 2    |
| 28  | 031828 | WASHER     | 5/8 FLAT                   | 2    |

WESTERBEKE 55A FOUR - BACK END - HBW TRANSMISSION - REAR MOUNTS

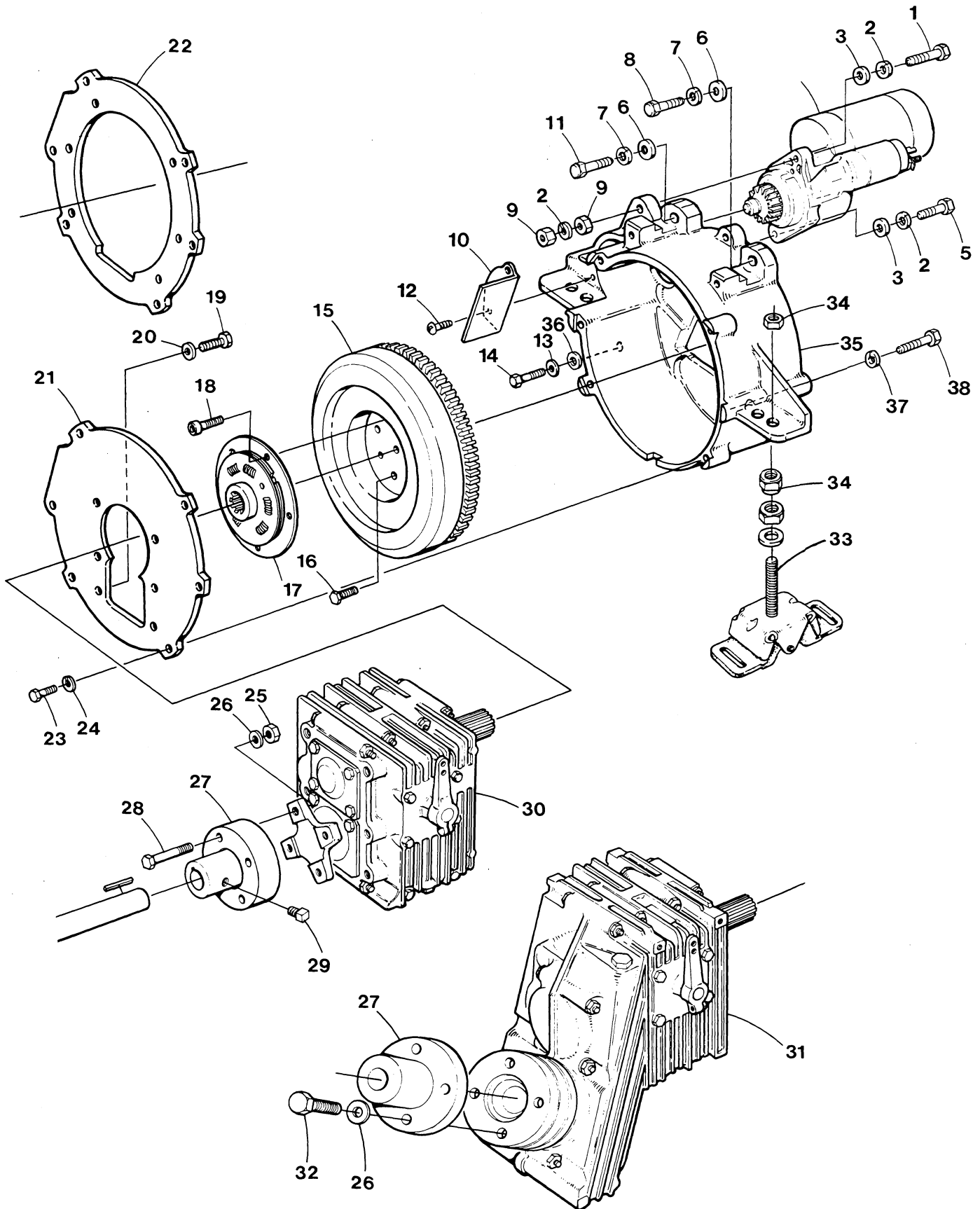


WESTERBEKE 55A FOUR - BACK END - HBW TRANSMISSION - REAR MOUNTS

| REF  | PN     | NAME       | REMARKS                                  | QUAN |
|------|--------|------------|--|------|
| 1    | 034833 | CAPSCREW   | M10 X 60 DIN 912 BATTERY GND & STARTER   | 1    |
| 2    | 019262 | LOCKWASHER | M10 DIN 127                              | 3    |
| 3    | 031789 | WASHER     | M10 DIN 125                              | 2    |
| 4    | 030593 | MOTOR      | STARTER 12VDC                            | 1    |
| 5    | 034589 | CAPSCREW   | M10 X 30 DIN 933                         | 1    |
| 6    | 031798 | WASHER     | M14 DIN 125                              | 2    |
| 7    | 031797 | LOCKWASHER | M14 DIN 127                              | 2    |
| 8    | 041332 | CAPSCREW   | M14 X 1.5 X 55 DIN 960                   | 1    |
| 9    | 015887 | NUT        | M10 DIN 934                              | 2    |
| 10   | 039830 | COVER      | STARTER ACCESS                           | 1    |
| 11   | 040603 | CAPSCREW   | M14 X 1.5 X 45 DIN 961                   | 1    |
| 12   | 039578 | SCREW      | M 5 X 12 HEX WASHER HEAD                 | 2    |
| 13   | 031797 | LOCKWASHER | M14 DIN 127                              | 1    |
| 14   | 041332 | CAPSCREW   | M14 X 1.5 X 55 DIN 960                   | 1    |
| 15-1 | 039798 | FLYWHEEL   | INCLUDING RING GEAR                      | 1    |
| 15-2 | 030230 | GEAR       | RING                                     | 1    |
| 16   | 040082 | BOLT       | FLYWHEEL                                 | 8    |
| 17-1 | 019398 | DAMPER     | HBW125-150                               | 1    |
| 17-2 | 011618 | DAMPER     | HBW250 - WARNER HYDRAULIC                | 1    |
| 18   | 024778 | SCREW      | DAMPER TO FLYWHEEL                       | 5    |
| 19-1 | 020650 | CAPSCREW   | M 8 X 18 DIN 933 HBW125-150              | 6    |
| 19-2 | 018813 | CAPSCREW   | M10 X 20 DIN 933 HBW250 & V-DRIVE        | 6    |
| 20-1 | 031786 | LOCKWASHER | M 8 DIN 127                              | 6    |
| 20-2 | 019262 | LOCKWASHER | M10 DIN 127 HBW250 & V-DRIVE             | 6    |
| 21-1 | 039762 | ADAPTER    | TRANSMISSION TO HOUSING HBW125-150 & BW7 | 1    |
| 21-2 | 040008 | ADAPTER    | TRANSMISSION TO HOUSING HBW V-DRIVE      | 1    |
| 21-3 | 039763 | ADAPTER    | TRANSMISSION TO HOUSING HBW250           | 1    |
| 22   | 040407 | ADAPTER    | TRANSMISSION TO HOUSING WARNER HYDRAULIC | 1    |
| 23   | 013629 | CAPSCREW   | M10 X 25 DIN 933                         | 6    |
| 24   | 019262 | LOCKWASHER | M10 DIN 127                              | 6    |
| 25   | 024950 | NUT        | M10 X 1.25 DIN 934                       | 4    |
| 26   | 019262 | LOCKWASHER | M10 DIN 127                              | 4    |
| 27-1 | 023706 | COUPLING   | 0.75 IN BORE                             | 1    |
| 27-2 | 023707 | COUPLING   | 0.875 IN BORE                            | 1    |
| 27-3 | 023708 | COUPLING   | 1.0 IN BORE                              | 1    |
| 27-4 | 023709 | COUPLING   | 1.125 IN BORE                            | 1    |
| 27-5 | 023710 | COUPLING   | 1.25 IN BORE                             | 1    |
| 27-6 | 023711 | COUPLING   | 1.375 IN BORE                            | 1    |
| 27-7 | 023712 | COUPLING   | 1.5 IN BORE                              | 1    |
| 28   | 031228 | CAPSCREW   | M10 X 1.25 X 30 DIN 961                  | 4    |
| 29   | 023652 | SETSCREW   | COUPLING 3/8NC X 1                       | 2    |



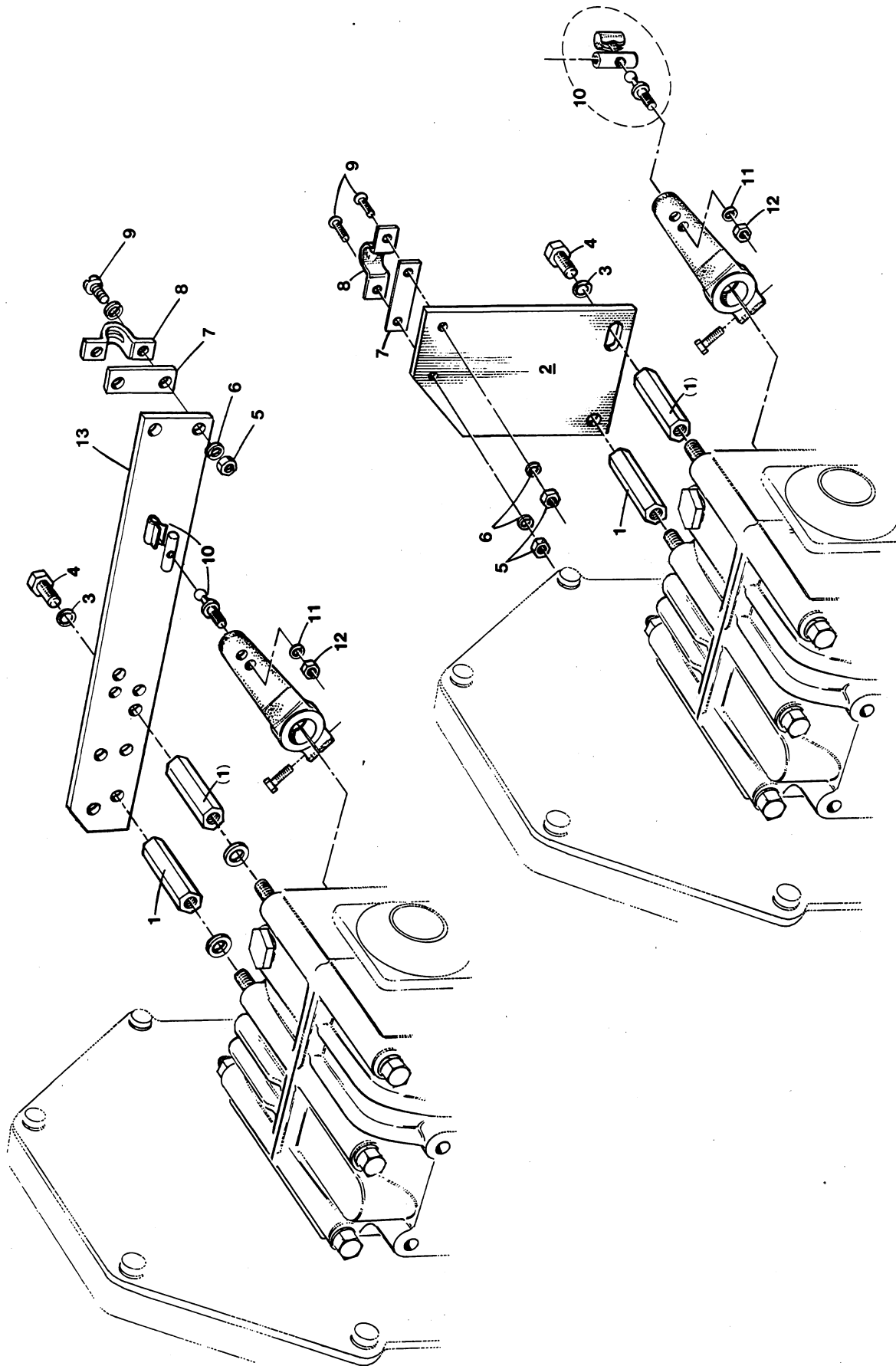
WESTERBEKE 55A FOUR - BACK END - HBW TRANSMISSION - REAR MOUNTS



WESTERBEKE 55A FOUR - BACK END - HBW TRANSMISSION - REAR MOUNTS

| REF  | PN     | NAME       | REMARKS                | QUAN |
|------|--------|------------|------------------------|------|
| 30-1 | 024631 | GEAR       | HBW150 1.9:1           | 1    |
| 30-2 | 032566 | GEAR       | HBW250 2.7:1           | 1    |
| 30-3 | 030049 | GEAR       | HBW125 2.6:1           | 1    |
| 31-1 | 031249 | GEAR       | HBW V-DRIVE 1.8:1      | 1    |
| 31-2 | 030048 | GEAR       | HBW V-DRIVE 2.1:1      | 1    |
| 32   | 013629 | CAPSCREW   | M10 X 25 DIN 933       | 4    |
| 33   | 040511 | ISOLATOR   | INCLUDING LOCKNUTS     | 2    |
| 34   | 040966 | NUT        | M16 JAM SELF-LOCKING   | 4    |
| 35   | 041727 | HOUSING    | FLYWHEEL               | 1    |
| 36   | 031798 | WASHER     | M14 DIN 125            | 1    |
| 37   | 031797 | LOCKWASHER | M14 DIN 127            | 1    |
| 38   | 298464 | CAPSCREW   | M14 X 1.5 X 35 DIN 961 | 1    |

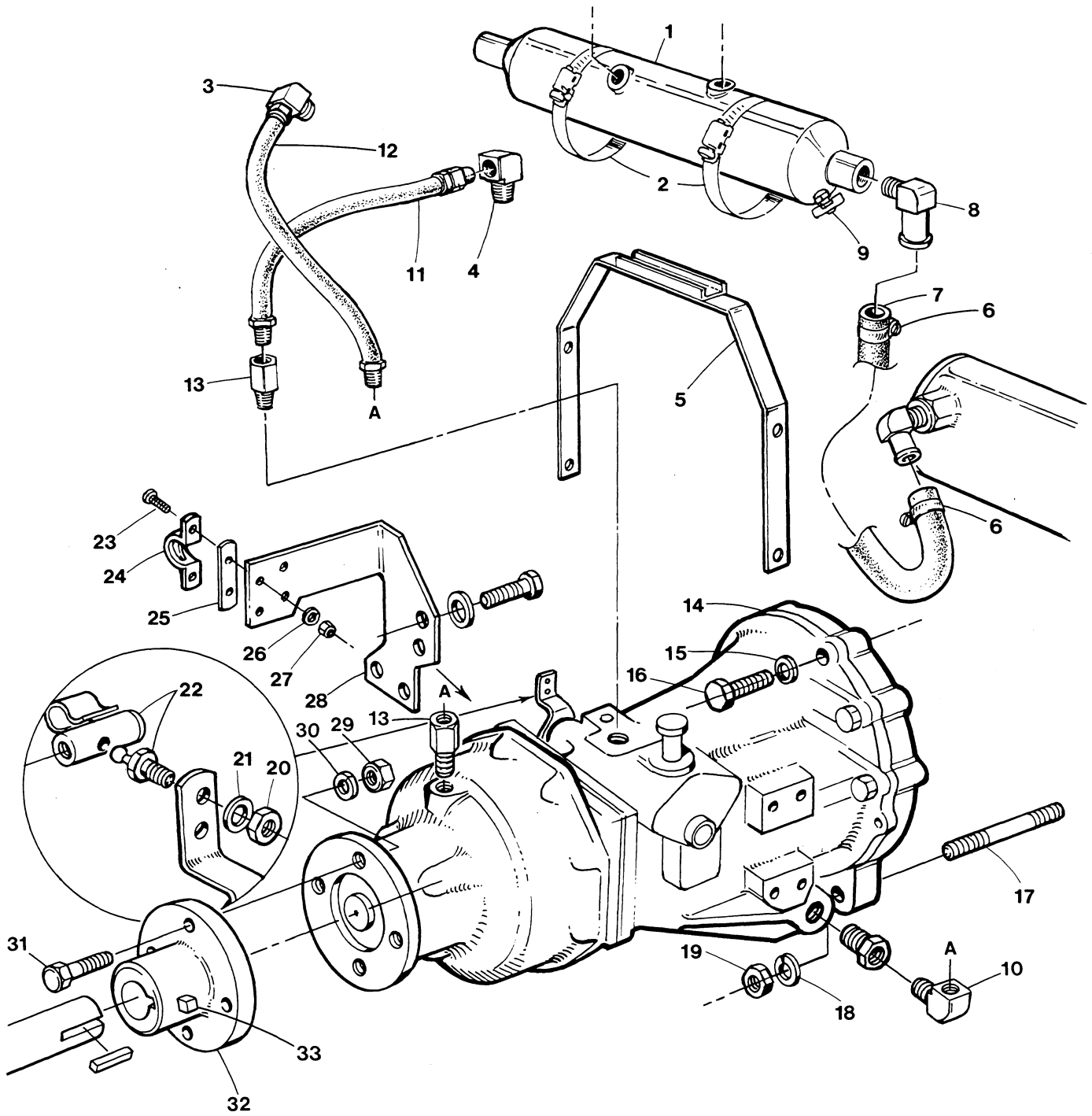
WESTERBEKE 55A FOUR - HBW TRANSMISSION SHIFTING BRACKET



WESTERBEKE 55A FOUR - HBW TRANSMISSION SHIFTING BRACKET

| REF | PN     | NAME       | REMARKS                | QUAN |
|-----|--------|------------|------------------------|------|
| 1   | 030756 | NUT        | M 8 PILLAR HBW125-150  | 2    |
| 2   | 030181 | BRACKET    | SHIFT CABLE TOP ENTRY  | 1    |
| 3   | 031786 | LOCKWASHER | M 8 DIN 127            | 2    |
| 4   | 013630 | CAPSCREW   | M 8 X 25 DIN 933       | 2    |
| 5   | 031847 | NUT        | 10-32 SS               | 2    |
| 6   | 031849 | LOCKWASHER | 10 SS                  | 2    |
| 7   | 013870 | SHIM       | CABLE CLAMP            | 1    |
| 8   | 013325 | CLAMP      | CABLE                  | 1    |
| 9   | 031873 | SCREW      | 10-32 X 5/8 SS BH      | 2    |
| 10  | 033482 | BALL JOINT | SHIFT CABLE            | 1    |
| 11  | 031752 | LOCKWASHER | 1/4                    | 1    |
| 12  | 031754 | NUT        | 1/4NF                  | 1    |
| 13  | 032161 | BRACKET    | SHIFT CABLE REAR ENTRY | 1    |

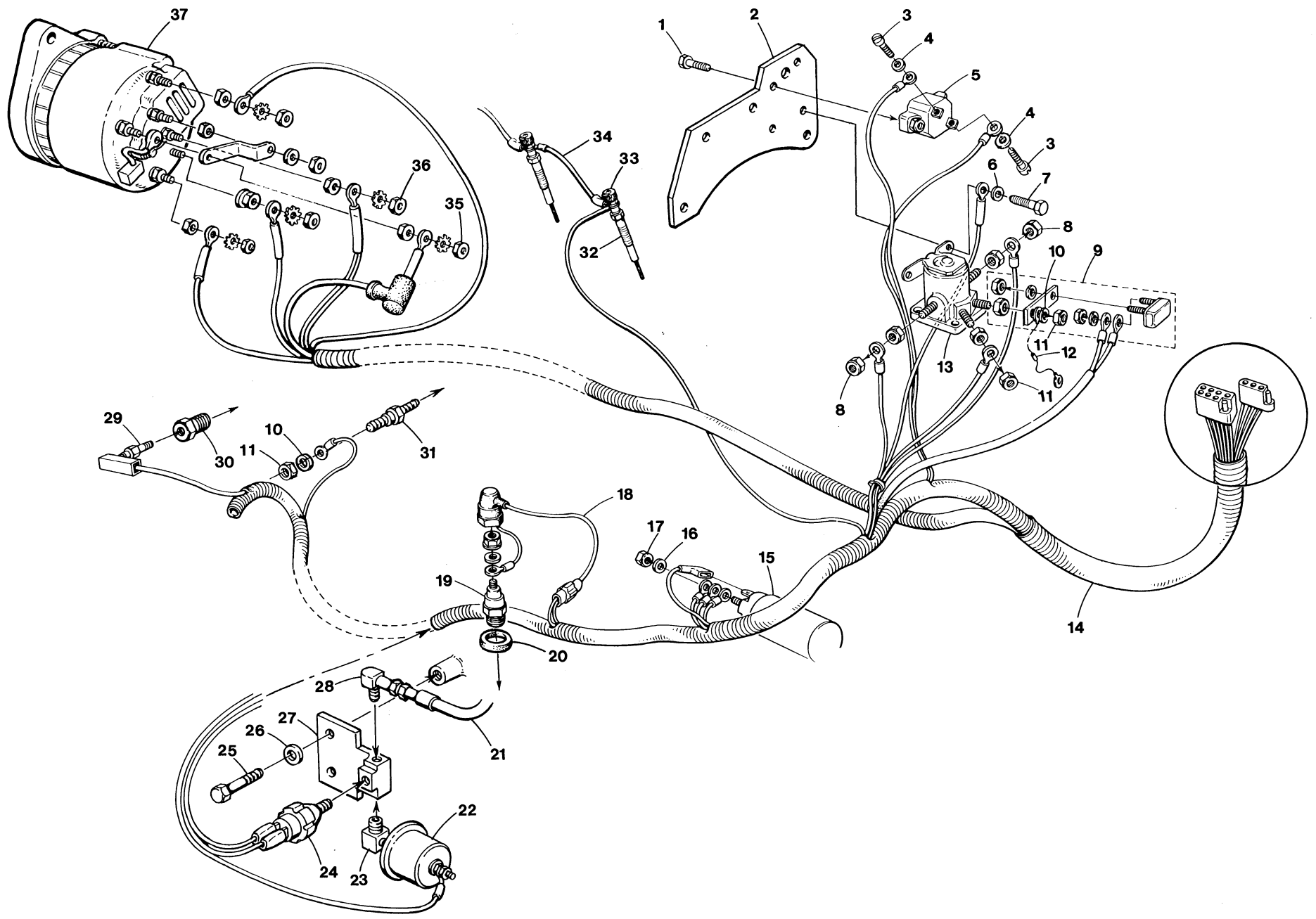
WESTERBEKE 55A FOUR - WARNER 71C TRANSMISSION



WESTERBELE 55A FOUR - WARNER 71C TRANSMISSION

| REF   | PN     | NAME       | REMARKS                                 | QUAN |
|-------|--------|------------|---|------|
| 1     | 036650 | COOLER     | OIL                                     | 1    |
| 2     | 011411 | CLAMP      | HOSE 32 - MOUNT COOLER TO BRACKET       | 2    |
| 3     | 013330 | ELBOW      | COOLER TO HOSE                          | 1    |
| 4     | 013338 | ELBOW      | 3/8NPT BRASS STREET 90                  | 1    |
| 5     | 013057 | BRACKET    | COOLER MOUNT TO TRANSMISSION            | 1    |
| 6     | 011405 | CLAMP      | HOSE 16                                 | 2    |
| 7     | 011779 | HOSE       | 1" ID WIRE INSERTED - INCHES REQUIRED   | 16   |
| 8     | 036614 | ELBOW      | 3/4NPT TO 1" HOSE                       | 2    |
| 9     | 011471 | PETCOCK    | 1/8NPT                                  | 1    |
| 10    | 013330 | ELBOW      | HOSE TO TRANSMISSION EXCEPT 2:1         | 1    |
| 11    | 011921 | HOSE       | OIL                                     | 1    |
| 12-1  | 022114 | HOSE       | OIL - 1:1 AND 2:1 TRANSMISSION          | 1    |
| 12-2  | 023567 | HOSE       | OIL - REDUCTION TRANSMISSION EXCEPT 2:1 | 1    |
| 13-1  | 013348 | CONNECTOR  | HOSE TO TRANSMISSION EXCEPT 2:1         | 1    |
| 13-2  | 013348 | CONNECTOR  | HOSE TO 2:1 TRANSMISSION                | 2    |
| 14-1  | 011630 | GEAR       | HYDRAULIC 1:1                           | 1    |
| 14-2  | 011631 | GEAR       | HYDRAULIC 1.5:1                         | 1    |
| 14-3  | 011633 | GEAR       | HYDRAULIC 2.5:1                         | 1    |
| 15    | 019262 | LOCKWASHER | M10 DIN 127                             | 4    |
| 16    | 035003 | CAPSCREW   | M10 X 80 DIN 931                        | 4    |
| 17    | 035004 | STUD       | M10 X 70 DIN 939                        | 2    |
| 18    | 019262 | LOCKWASHER | M10 DIN 127                             | 2    |
| 19    | 015887 | NUT        | M10 DIN 934                             | 2    |
| 20    | 031754 | NUT        | 1/4NF                                   | 1    |
| 21    | 031752 | LOCKWASHER | 1/4                                     | 1    |
| 22    | 033482 | BALL JOINT | SHIFT CABLE                             | 1    |
| 23    | 031873 | SCREW      | 10-32 X 5/8 SS BH                       | 2    |
| 24    | 013325 | CLAMP      | CABLE                                   | 1    |
| 25    | 013870 | SHIM       | CABLE CLAMP                             | 1    |
| 26    | 031849 | LOCKWASHER | 10 SS                                   | 2    |
| 27    | 031847 | NUT        | 10-32 SS                                | 2    |
| 28    | 032315 | BRACKET    | SHIFT CABLE                             | 1    |
| 29    | 031768 | NUT        | 7/16NC                                  | 4    |
| 30    | 031770 | LOCKWASHER | 7/16                                    | 4    |
| 31    | 031655 | CAPSCREW   | 7/16NC X 1                              | 4    |
| 32- 1 | 023706 | COUPLING   | DIRECT DRIVE 0.75 IN BORE               | 1    |
| 32- 2 | 023707 | COUPLING   | DIRECT DRIVE 0.875 IN BORE              | 1    |
| 32- 3 | 023708 | COUPLING   | DIRECT DRIVE 1.0 IN BORE                | 1    |
| 32- 4 | 023709 | COUPLING   | DIRECT DRIVE 1.125 IN BORE              | 1    |
| 32- 5 | 023710 | COUPLING   | DIRECT DRIVE 1.25 IN BORE               | 1    |
| 32- 6 | 023711 | COUPLING   | DIRECT DRIVE 1.375 IN BORE              | 1    |
| 32- 7 | 023712 | COUPLING   | DIRECT DRIVE 1.5 IN BORE                | 1    |
| 32- 8 | 011961 | COUPLING   | REDUCTION 1.0 IN BORE                   | 1    |
| 32- 9 | 011962 | COUPLING   | REDUCTION 1.125 IN BORE                 | 1    |
| 32-10 | 011963 | COUPLING   | REDUCTION 1.25 IN BORE                  | 1    |
| 32-11 | 011964 | COUPLING   | REDUCTION 1.375 IN BORE                 | 1    |
| 32-12 | 023609 | COUPLING   | REDUCTION 1.5 IN BORE                   | 1    |
| 32-13 | 039323 | COUPLING   | REDUCTION 1.75 IN BORE                  | 1    |
| 32-2  | 023653 | SETSCREW   | COUPLING 3/8NC X 1-1/4                  | 2    |
| 33-1  | 023652 | SETSCREW   | COUPLING 3/8NC X 1                      | 2    |

WESTERBEKE 55A FOUR - ELECTRICAL SYSTEM

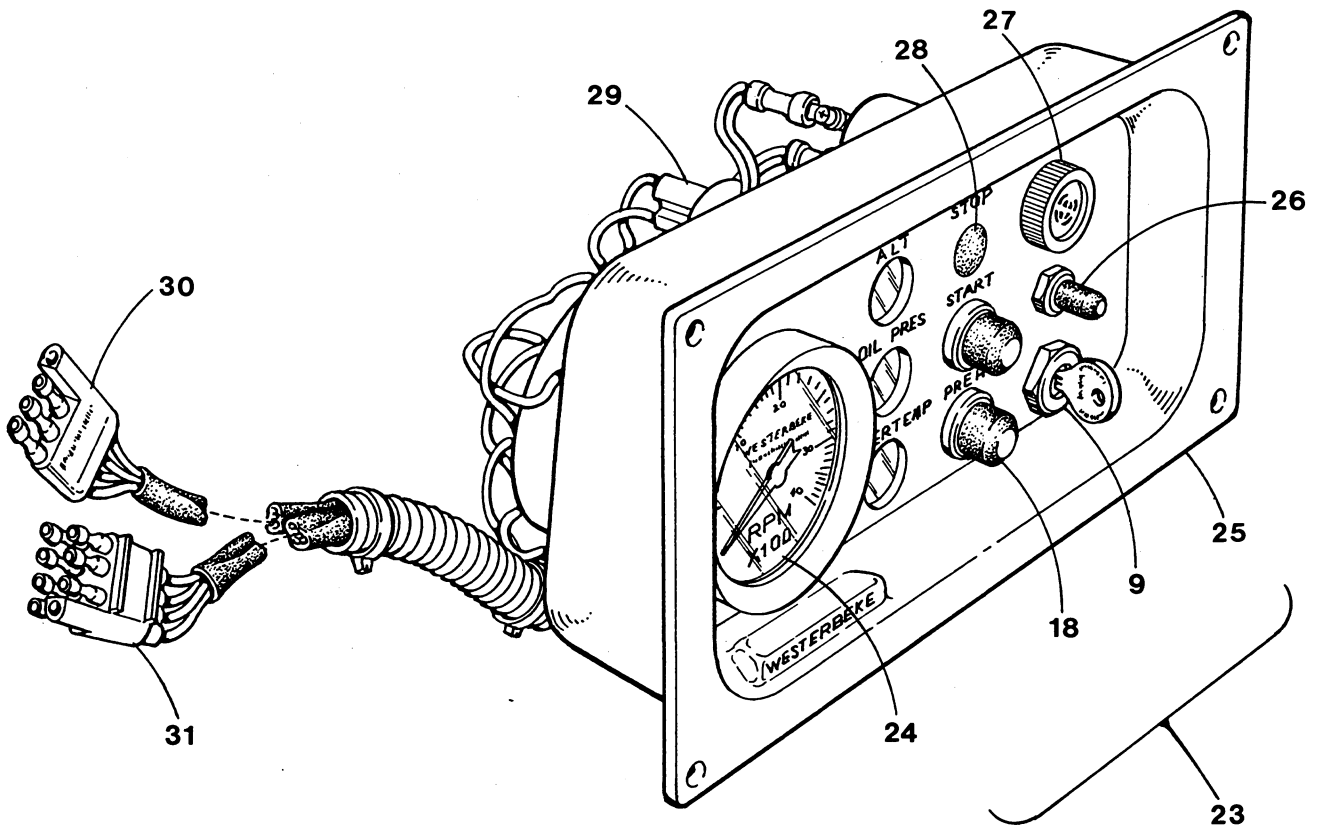
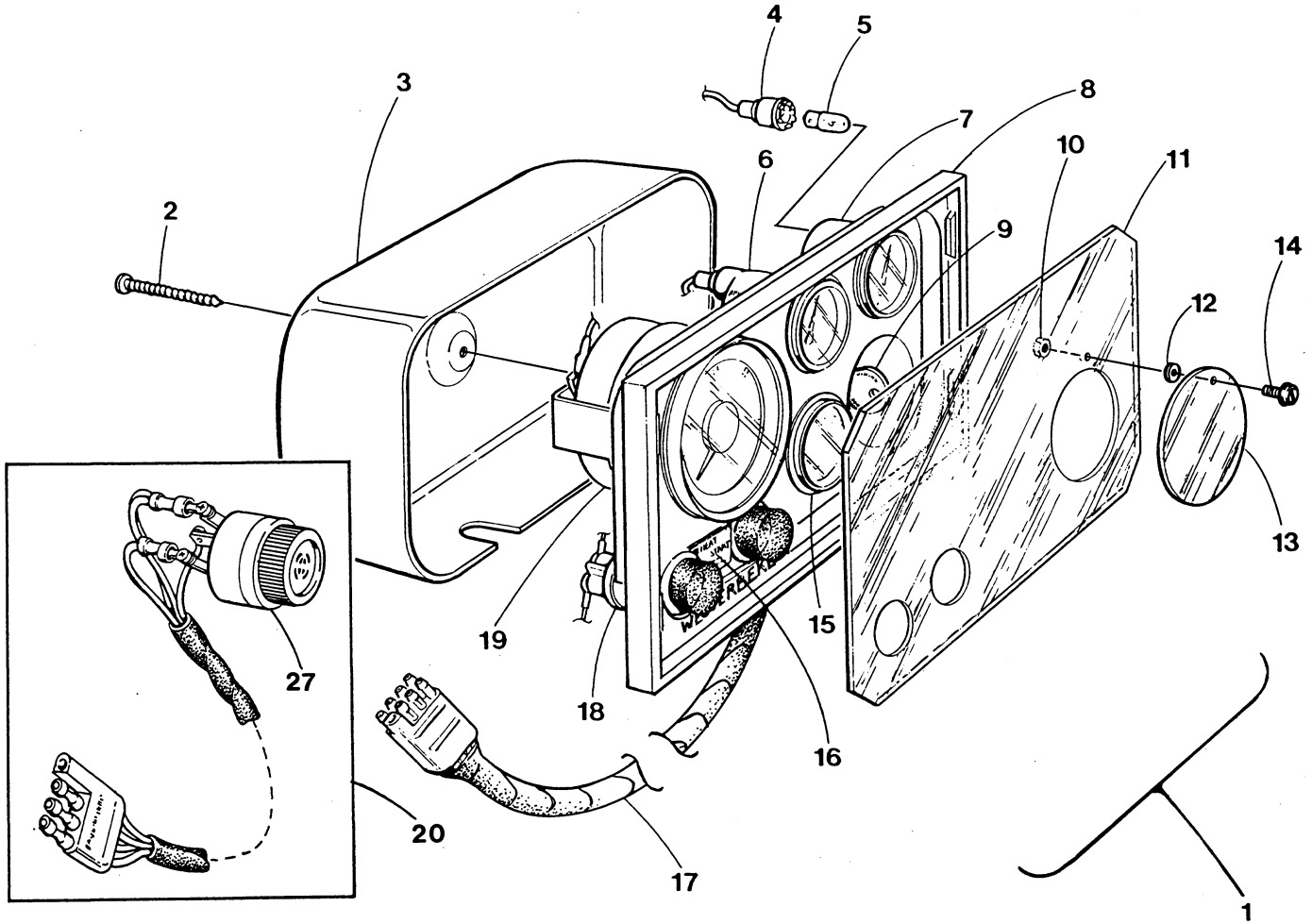


WESTERBEKE 55A FOUR - ELECTRICAL SYSTEM

| REF  | PN     | NAME       | REMARKS                             | QUAN |
|------|--------|------------|-------------------------------------|------|
| 1    | 043480 | SCREW      | 8-32 X 7/8 HEX WASHER HEAD SS       | 2    |
| 2    | 040015 | BRACKET    | LIFT PUMP-SOLENOID-CIRCUIT BREAKER  | 1    |
| 3    | 031861 | SCREW      | 8-32 X 1/4 SS BH                    | 2    |
| 4    | 031844 | LOCKWASHER | 8 SS                                | 2    |
| 5    | 024683 | BREAKER    | CIRCUIT 20 AMP                      | 1    |
| 6-1  | 031783 | LOCKWASHER | M 6 DIN 127                         | 2    |
| 6-2  | 031784 | WASHER     | M 6 DIN 125                         | 2    |
| 7    | 031810 | CAPSCREW   | M 6 X 14 DIN 933                    | 2    |
| 8    | 031760 | NUT        | 5/16NF                              | 2    |
| 9    | 036563 | BREAKER    | CIRCUIT 10 AMP                      | 1    |
| 10   | 031849 | LOCKWASHER | 10 SS                               | AR   |
| 11   | 031847 | NUT        | 10-32 SS                            | AR   |
| 12   | 039806 | RESISTOR   | ASSEMBLY                            | 1    |
| 13   | 024639 | SOLENOID   | PREHEAT 12VDC                       | 1    |
| 14   | 040930 | HARNESS    | ENGINE                              | 1    |
| 15   | 030245 | SOLENOID   | STARTER MOTOR 30593 12VDC           | 1    |
| 16   | 031786 | LOCKWASHER | M 8 DIN 127                         | 1    |
| 17   | 018242 | NUT        | M 8 DIN 934                         | 1    |
| 18   | 039672 | WIRE       | SOLENOID INCLUDING BOOT             | 1    |
| 19   | 024338 | SOLENOID   | FUEL SHUTOFF 12VDC                  | 1    |
| 20   | 024339 | O-RING     | FUEL SOLENOID                       | 1    |
| 21-1 | 040907 | HOSE       | OIL                                 | 1    |
| 21-2 | 024844 | ADAPTER    | 1/8BSPT TO 1/8NPT OIL HOSE TO BLOCK | 1    |
| 22   | 024132 | SENDER     | OIL PRESSURE                        | 1    |
| 23   | 013340 | ELBOW      | 1/8NPT STREET 90 BRASS              | 1    |
| 24   | 037323 | SWITCH     | OIL PRESSURE                        | 1    |
| 25   | 024951 | CAPSCREW   | M10 X 1.25 X 20 DIN 961             | 2    |
| 26-1 | 019262 | LOCKWASHER | M10 DIN 127                         | 2    |
| 26-2 | 031789 | WASHER     | M10 DIN 125                         | 2    |
| 27   | 032480 | BRACKET    | OIL PRESSURE SENDER AND SWITCH      | 1    |
| 28   | 013340 | ELBOW      | 1/8NPT STREET 90 BRASS              | 1    |
| 29   | 030125 | SWITCH     | WATER TEMPERATURE                   | 1    |
| 30   | 037453 | BUSHING    | 1/4NPT TO 1/8NPT                    | 1    |
| 31   | 035109 | SENDER     | WATER TEMPERATURE                   | 1    |
| 32   | 024353 | GLOWPLUG   | 12VDC                               | 4    |
| 33   | 041975 | NUT        |                                     | 4    |
| 34   | 041974 | WIRE       | GLOWPLUG CONNECTING                 | 1    |
| 35   | 200120 | NUT        | 1/4NC KEPS                          | 1    |
| 36   | 031904 | NUT        | 10-24 KEPS SS                       | 3    |
| 37   | 039790 | ALTERNATOR | 50 AMP 12VDC                        | 1    |
| 38   | 031086 | BOOT       |                                     | 1    |
| 39   | 039144 | DIAGRAM    | WIRING                              | 1    |

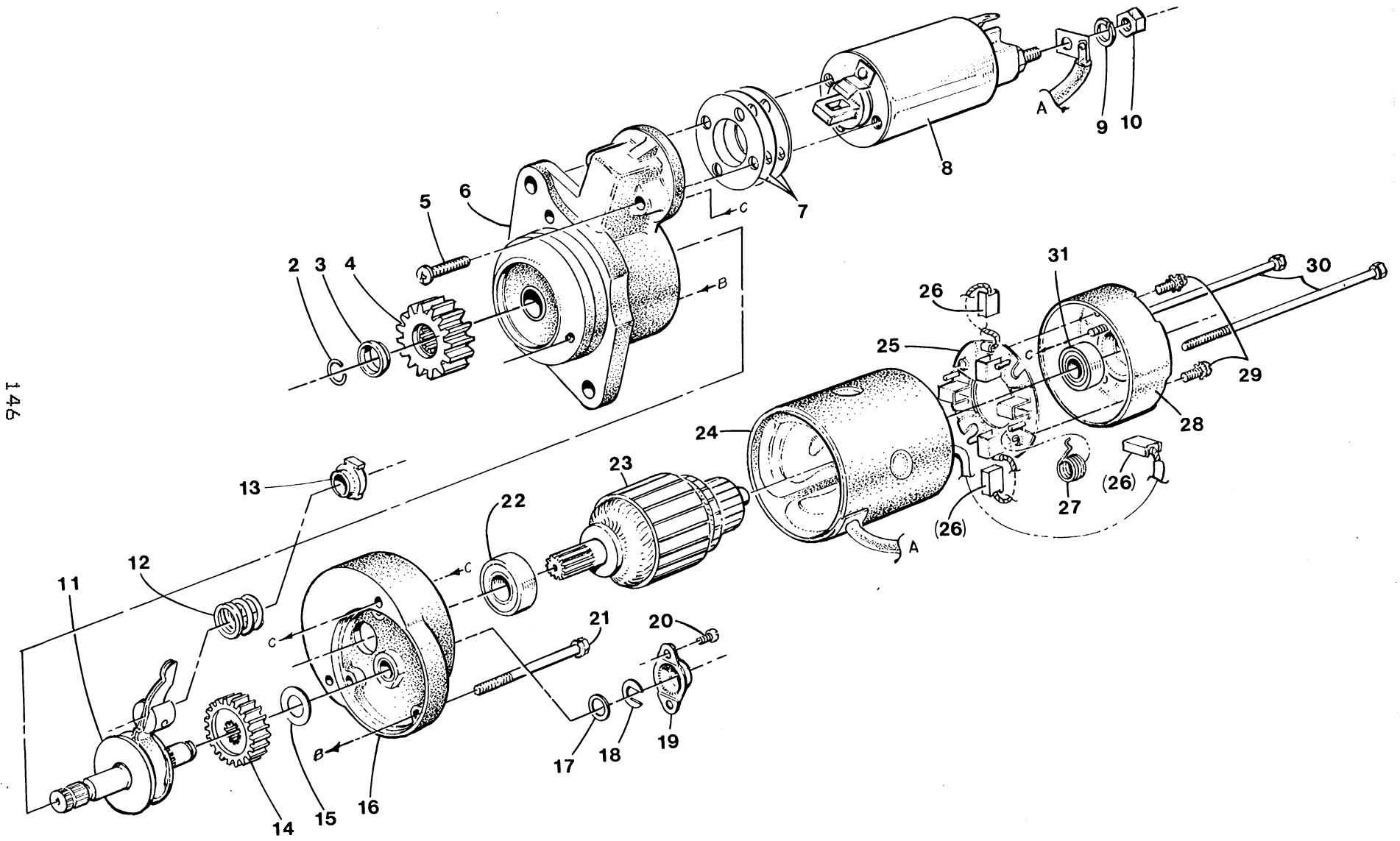


WESTERBEKE 55A FOUR - PROPULSION INSTRUMENT PANELS



WESTERBEKE 55A FOUR - PROPULSION INSTRUMENT PANELS

| REF  | PN     | NAME      | REMARKS                          | QUAN |
|------|--------|-----------|----------------------------------|------|
| 1    | 036842 | PANEL     | ADMIRAL INCLUDING ALARM          | 1    |
| 2    | 030913 | SCREW     |                                  | 1    |
| 3    | 030119 | COVER     | PANEL REAR                       | 1    |
| 4    |        | HOLDER    | LAMP SEE REF 5                   | 3    |
| 5    | 042893 | LAMP      | INCLUDING HOLDER 12VDC           | 3    |
| 6    | 037601 | METER     | WATER TEMPERATURE                | 1    |
| 7    | 037603 | METER     | OIL PRESSURE 100 PSI             | 1    |
| 8    | 033865 | PANEL     | PLATE                            | 1    |
| 9    | 033693 | KEYSWITCH | OFF-ON                           | 1    |
| 10   | 030003 | NUT       | NYLON LOCKING 6-32               | 1    |
| 11   | 033684 | COVER     | FACEPLATE                        | 1    |
| 12   | 030002 | SPACER    | NYLON                            | 1    |
| 13   | 024996 | WINDOW    | KEYSWITCH COVER                  | 1    |
| 14   | 030001 | SCREW     | NYLON 6-32 X 1/2 WASHER HEAD     | 1    |
| 15   | 037605 | VOLTMETER | 12VDC                            | 1    |
| 16   | 033682 | DECAL     | SWITCH IDENTIFICATION            | 1    |
| 17   | 030148 | CABLE     | PANEL TO ENGINE 8 PIN            | 1    |
| 18-1 | 033764 | SWITCH    | PUSHBUTTON START/PREHEAT         | 2    |
| 18-2 | 019031 | CAP       | SWITCH COVER REPLACEMENT         | 2    |
| 19   | 011917 | METER     | TACHOMETER-HOUR                  | 1    |
| 20   | 036829 | ALARM     | ASSEMBLY                         | 1    |
| 21   | 035825 | WIRE      | LAMP POWER CONNECTION            | 3    |
| 22   | 039144 | DIAGRAM   | WIRING ENGINE                    | 1    |
| 23   | 036473 | PANEL     | CAPTAIN                          | 1    |
| 24   | 036590 | METER     | TACHOMETER                       | 1    |
| 25   | 036043 | PANEL     | PLATE                            | 1    |
| 26-1 | 036479 | SWITCH    | TEST                             | 1    |
| 26-2 | 036490 | CAP       | SWITCH                           | 1    |
| 27   | 013355 | BUZZER    | ALARM                            | 1    |
| 28   | 030946 | PLUG      | NYLON                            | 1    |
| 29-1 | 024947 | LAMP      | 12VDC                            | 3    |
| 29-2 | 036483 | HOLDER    | LAMP                             | 3    |
| 30   | 036626 | HARNESS   | PANEL TO ENGINE 4 PIN            | 1    |
| 31   | 036627 | HARNESS   | PANEL TO ENGINE 8 PIN            | 1    |
| 32   | 036477 | ASSEMBLY  | TERMINAL-DIODE                   | 1    |
| 33   | 036544 | SPACER    | TERMINAL-DIODE ASSEMBLY          | 2    |
| 34   | 036545 | SCREW     | 6-32 X 3/4 TAPPING SS            | 2    |
| 35   | 036630 | DRAWING   | TEMPLATE TO INSTALL EITHER PANEL | 1    |



146

WESTERBEKE 55A FOUR - STARTER MOTOR

WESTERBEKE 55A FOUR - STARTER MOTOR

| REF | PN     | NAME       | REMARKS                           | QUAN |
|-----|--------|------------|-----------------------------------|------|
| 1   | 030593 | MOTOR      | STARTER 12VDC                     | 1    |
| 2   |        | RING       | RETAINING SEE REF 3               | 1    |
| 3   | 030261 | RETAINER   | INCLUDING REF 2                   | 1    |
| 4   | 030700 | PINION     | INCLUDING REF 2 AND 3             | 1    |
| 5   | 030263 | SCREW SET  | INCLUDING REF 29                  | 1    |
| 6   |        | BRACKET    | FRONT                             | 1    |
| 7   |        | SHIMS      | SOLENOID SEE REF 8                | AR   |
| 8   | 030245 | SOLENOID   | INCLUDING REF 7                   | 1    |
| 9   | 031786 | LOCKWASHER | M 8 DIN 127                       | 2    |
| 10  | 018242 | NUT        | M 8 DIN 934                       | 2    |
| 11  | 030265 | SHAFT      | ASSEMBLY                          | 1    |
| 12  |        | SPRING     |                                   | 1    |
| 13  |        | RETAINER   |                                   | 1    |
| 14  | 030695 | GEAR       |                                   | 1    |
| 15  |        | WASHER     | SEE REF 19                        | 1    |
| 16  |        | BRACKET    | CENTER                            | 1    |
| 17  |        | WASHER     | SEE REF 19                        | 1    |
| 18  |        | CLIP       | SEE REF 19                        | 1    |
| 19  | 030696 | COVER      | INCLUDING REF 15, 17, 18, 20      | 1    |
| 20  |        | SCREW      | SEE REF 19                        | 2    |
| 21  | 030692 | CAPSCREW   | M 5 X 73                          | 1    |
| 22  | 031305 | BEARING    | ARMATURE                          | 1    |
| 23  |        | ARMATURE   | INCLUDING BEARINGS                | 1    |
| 24  |        | HOUSING    | YOKE ASSEMBLY                     | 1    |
| 25  | 030262 | HOLDER     | BRUSH ASSEMBLY INCL REF 26 AND 27 | 1    |
| 26  |        | BRUSH      | SEE REF 25                        | 4    |
| 27  | 030246 | SPRING     | BRUSH                             | 1    |
| 28  | 030697 | HOUSING    | REAR                              | 1    |
| 29  |        | SCREW      | SEE REF 5                         | 2    |
| 30  |        | CAPSCREW   |                                   | 2    |
| 31  | 031306 | BEARING    | ARMATURE                          | 1    |

WESTERBEKE 55A FOUR - MISCELLANEOUS

| REF  | PN     | NAME       | REMARKS                       | QUAN |
|------|--------|------------|-------------------------------|------|
| 1    | 041803 | KIT A      | SPARE PARTS                   | 1    |
| 2    | 041804 | KIT B      | SPARE PARTS EXTENDED CRUISING | 1    |
| 3    | 041805 | GASKET SET | UPPER                         | 1    |
| 4    | 041806 | GASKET SET | COMPLETE                      | 1    |
| 5    | 032974 | FILTER     | PRIMARY FUEL SEPARATOR        | 1    |
| 6    | 015010 | STRAINER   | SEA WATER                     | 1    |
| 7    | 033327 | VALVE      | ANTI-SIPHON                   | 1    |
| 8-1  | 013758 | PAINT      | RED AEROSOL SPRAY CAN         | 1    |
| 8-2  | 042307 | PAINT      | WHITE AEROSOL SPRAY CAN       | 1    |
| 9    | 020654 | SPLITTER   | ALTERNATOR OUTPUT             | 1    |
| 10-1 | 030760 | HARNESS    | 15 FOOT PANEL EXTENSION 8 PIN | 1    |
| 10-2 | 036557 | HARNESS    | 15 FOOT PANEL EXTENSION 4 PIN | 1    |
| 11   | 032149 | FILTER KIT | REMOTE LUBE OIL               | 1    |
| 12   | 041802 | KIT        | FUEL HARDWARE                 | 1    |
| 13   | 041562 | MANUAL     | OPERATOR                      | 1    |
| 14   | 043377 | MANUAL     | SERVICE                       | 1    |
| 15   | 024177 | KIT        | REMOTE FRESH WATER SURGE TANK | 1    |

| PART NO | PAGE | REF   | PART NO | PAGE | REF   | PART NO | PAGE | REF   |
|---------|------|-------|---------|------|-------|---------|------|-------|
| 011341  | 111  | 27    | 015887  | 141  | 19    | 023652  | 141  | 33-1  |
| 011341  | 115  | 36    | 017196  | 117  | 27    | 023653  | 141  | 32-2  |
| 011386  | 117  | 6     | 017196  | 125  | 41    | 023706  | 135  | 27-1  |
| 011386  | 131  | 31    | 017298  | 101  | 30    | 023706  | 141  | 32- 1 |
| 011405  | 117  | 23    | 017298  | 103  | 23    | 023707  | 135  | 27-2  |
| 011405  | 141  | 6     | 018142  | 119  | 19    | 023707  | 141  | 32- 2 |
| 011411  | 141  | 2     | 018143  | 119  | 14    | 023708  | 135  | 27-3  |
| 011419  | 119  | 12    | 018144  | 119  | 21    | 023708  | 141  | 32- 3 |
| 011471  | 117  | 19    | 018145  | 119  | 6     | 023709  | 135  | 27-4  |
| 011471  | 141  | 9     | 018146  | 119  | 22    | 023709  | 141  | 32- 4 |
| 011618  | 135  | 17-2  | 018147  | 119  | 2     | 023710  | 135  | 27-5  |
| 011630  | 141  | 14-1  | 018148  | 119  | 17    | 023710  | 141  | 32- 5 |
| 011631  | 141  | 14-2  | 018149  | 119  | 16    | 023711  | 135  | 27-6  |
| 011633  | 141  | 14-3  | 018151  | 119  | 9     | 023711  | 141  | 32- 6 |
| 011779  | 117  | 7     | 018152  | 119  | 10    | 023712  | 135  | 27-7  |
| 011779  | 117  | 22    | 018153  | 119  | 13    | 023712  | 141  | 32- 7 |
| 011779  | 131  | 30    | 018154  | 119  | 7     | 024132  | 143  | 22    |
| 011779  | 141  | 7     | 018164  | 119  | 18    | 024177  | 148  | 15    |
| 011885  | 117  | 16    | 018180  | 119  | 4     | 024306  | 115  | 8     |
| 011907  | 119  | 11    | 018242  | 115  | 18    | 024338  | 123  | 33    |
| 011917  | 145  | 19    | 018242  | 117  | 21    | 024338  | 143  | 19    |
| 011921  | 141  | 11    | 018242  | 125  | 67    | 024339  | 123  | 32    |
| 011944  | 111  | 22    | 018242  | 143  | 17    | 024339  | 143  | 20    |
| 011961  | 141  | 32- 8 | 018242  | 147  | 10    | 024349  | 101  | 26    |
| 011962  | 141  | 32- 9 | 018804  | 115  | 31    | 024353  | 143  | 32    |
| 011963  | 141  | 32-10 | 018813  | 123  | 26    | 024363  | 125  | 58    |
| 011964  | 141  | 32-11 | 018813  | 135  | 19-2  | 024373  | 101  | 8     |
| 013057  | 141  | 5     | 019031  | 145  | 18-2  | 024373  | 103  | 9     |
| 013325  | 127  | 4     | 019262  | 127  | 8     | 024374  | 101  | 4     |
| 013325  | 139  | 8     | 019262  | 129  | 2     | 024374  | 103  | 34    |
| 013325  | 141  | 24    | 019262  | 131  | 23    | 024454  | 123  | 5     |
| 013330  | 141  | 3     | 019262  | 131  | 26    | 024470  | 111  | 17    |
| 013330  | 141  | 10    | 019262  | 133  | 2     | 024498  | 123  | 13    |
| 013338  | 141  | 4     | 019262  | 133  | 12    | 024498  | 123  | 30    |
| 013340  | 125  | 63    | 019262  | 133  | 21    | 024501  | 123  | 12    |
| 013340  | 143  | 23    | 019262  | 133  | 24    | 024631  | 137  | 30-1  |
| 013340  | 143  | 28    | 019262  | 135  | 2     | 024637  | 115  | 5     |
| 013341  | 117  | 11    | 019262  | 135  | 20-2  | 024639  | 143  | 13    |
| 013346  | 123  | 11    | 019262  | 135  | 24    | 024683  | 143  | 5     |
| 013348  | 141  | 13-1  | 019262  | 135  | 26    | 024688  | 115  | 35    |
| 013348  | 141  | 13-2  | 019262  | 141  | 15    | 024704  | 115  | 3     |
| 013355  | 145  | 27    | 019262  | 141  | 18    | 024778  | 135  | 18    |
| 013629  | 135  | 23    | 019262  | 143  | 26-1  | 024786  | 115  | 4     |
| 013629  | 137  | 32    | 019321  | 117  | 3     | 024844  | 143  | 21-2  |
| 013630  | 103  | 31    | 019364  | 127  | 14    | 024858  | 115  | 2     |
| 013630  | 125  | 47    | 019369  | 117  | 18    | 024905  | 101  | 41    |
| 013630  | 139  | 4     | 019369  | 119  | 23    | 024906  | 115  | 6     |
| 013758  | 148  | 8-1   | 019398  | 135  | 17-1  | 024907  | 115  | 7     |
| 013870  | 127  | 5     | 020628  | 127  | 10    | 024922  | 101  | 43    |
| 013870  | 139  | 7     | 020650  | 135  | 19-1  | 024947  | 145  | 29-1  |
| 013870  | 141  | 25    | 020654  | 148  | 9     | 024950  | 135  | 25    |
| 014774  | 119  | 5     | 021122  | 121  | 14    | 024951  | 127  | 9     |
| 015010  | 148  | 6     | 022114  | 141  | 12-1  | 024951  | 143  | 25    |
| 015828  | 121  | 20    | 022392  | 119  | 20    | 024972  | 125  | 49-2  |
| 015830  | 103  | 14    | 022852  | 117  | 5     | 024972  | 125  | 55-2  |
| 015830  | 115  | 16    | 023567  | 141  | 12-2  | 024977  | 115  | 1     |
| 015830  | 123  | 22    | 023609  | 141  | 32-12 | 024996  | 145  | 13    |
| 015887  | 135  | 9     | 023652  | 135  | 29    | 030001  | 145  | 14    |

| PART NO | PAGE | REF  | PART NO | PAGE | REF  | PART NO | PAGE | REF  |
|---------|------|------|---------|------|------|---------|------|------|
| 030002  | 145  | 12   | 031752  | 139  | 11   | 031848  | 127  | 13-1 |
| 030003  | 145  | 10   | 031752  | 141  | 21   | 031849  | 127  | 6    |
| 030048  | 137  | 31-2 | 031753  | 117  | 14   | 031849  | 127  | 13-2 |
| 030049  | 137  | 30-3 | 031754  | 139  | 12   | 031849  | 139  | 6    |
| 030119  | 145  | 3    | 031754  | 141  | 20   | 031849  | 141  | 26   |
| 030125  | 143  | 29   | 031758  | 129  | 14-1 | 031849  | 143  | 10   |
| 030139  | 125  | 48   | 031758  | 129  | 16   | 031861  | 143  | 3    |
| 030139  | 125  | 54   | 031760  | 143  | 8    | 031873  | 127  | 3    |
| 030148  | 145  | 17   | 031764  | 129  | 6-2  | 031873  | 139  | 9    |
| 030181  | 139  | 2    | 031764  | 129  | 14-2 | 031873  | 141  | 23   |
| 030230  | 135  | 15-2 | 031764  | 131  | 28   | 031904  | 143  | 36   |
| 030245  | 143  | 15   | 031764  | 133  | 15   | 031925  | 133  | 7    |
| 030245  | 147  | 8    | 031765  | 129  | 13-2 | 031926  | 121  | 24-1 |
| 030246  | 147  | 27   | 031765  | 133  | 16   | 031935  | 115  | 27   |
| 030261  | 147  | 3    | 031766  | 133  | 14   | 032149  | 148  | 11   |
| 030262  | 147  | 25   | 031768  | 133  | 11   | 032161  | 139  | 13   |
| 030263  | 147  | 5    | 031768  | 141  | 29   | 032183  | 119  | 3    |
| 030265  | 147  | 11   | 031770  | 133  | 10   | 032183  | 119  | 15   |
| 030290  | 125  | 50   | 031770  | 141  | 30   | 032315  | 141  | 28   |
| 030290  | 125  | 52   | 031771  | 133  | 9    | 032480  | 143  | 27   |
| 030291  | 101  | 45   | 031776  | 129  | 6-1  | 032566  | 137  | 30-2 |
| 030291  | 125  | 49-1 | 031783  | 115  | 12   | 032654  | 101  | 34   |
| 030291  | 125  | 55-1 | 031783  | 115  | 32   | 032731  | 111  | 14   |
| 030593  | 135  | 4    | 031783  | 125  | 61   | 032861  | 111  | 15   |
| 030593  | 147  | 1    | 031783  | 127  | 11   | 032875  | 101  | 31   |
| 030692  | 147  | 21   | 031783  | 143  | 6-1  | 032974  | 148  | 5    |
| 030695  | 147  | 14   | 031784  | 115  | 13   | 032977  | 129  | 18-1 |
| 030696  | 147  | 19   | 031784  | 115  | 33   | 033064  | 129  | 12-1 |
| 030697  | 147  | 28   | 031784  | 125  | 60   | 033299  | 117  | 4    |
| 030700  | 147  | 4    | 031784  | 143  | 6-2  | 033300  | 117  | 2    |
| 030735  | 129  | 8-2  | 031786  | 115  | 17   | 033327  | 148  | 7    |
| 030756  | 139  | 1    | 031786  | 117  | 20   | 033329  | 119  | 24   |
| 030760  | 148  | 10-1 | 031786  | 117  | 28   | 033381  | 121  | 22   |
| 030846  | 101  | 44   | 031786  | 125  | 42   | 033381  | 125  | 44   |
| 030913  | 145  | 2    | 031786  | 125  | 46   | 033381  | 129  | 13-1 |
| 030946  | 145  | 28   | 031786  | 125  | 66   | 033473  | 129  | 7-2  |
| 030999  | 105  | 6    | 031786  | 135  | 20-1 | 033482  | 139  | 10   |
| 031021  | 123  | 6    | 031786  | 139  | 3    | 033482  | 141  | 22   |
| 031086  | 143  | 38   | 031786  | 143  | 16   | 033622  | 121  | 24-2 |
| 031228  | 129  | 1    | 031786  | 147  | 9    | 033624  | 101  | 7    |
| 031228  | 133  | 13   | 031787  | 125  | 43   | 033625  | 103  | 12   |
| 031228  | 133  | 20   | 031789  | 135  | 3    | 033651  | 123  | 20   |
| 031228  | 133  | 25   | 031789  | 143  | 26-2 | 033652  | 103  | 18   |
| 031228  | 135  | 28   | 031797  | 135  | 7    | 033653  | 121  | 10   |
| 031249  | 137  | 31-1 | 031797  | 135  | 13   | 033653  | 133  | 1    |
| 031305  | 147  | 22   | 031797  | 137  | 37   | 033654  | 121  | 1    |
| 031306  | 147  | 31   | 031798  | 135  | 6    | 033657  | 101  | 11   |
| 031506  | 117  | 12   | 031798  | 137  | 36   | 033666  | 101  | 12   |
| 031553  | 129  | 17   | 031810  | 125  | 62   | 033668  | 121  | 23   |
| 031556  | 129  | 15-1 | 031810  | 143  | 7    | 033668  | 123  | 27   |
| 031608  | 129  | 15-2 | 031823  | 131  | 22   | 033682  | 145  | 16   |
| 031618  | 129  | 5-2  | 031828  | 133  | 28   | 033684  | 145  | 11   |
| 031631  | 131  | 29   | 031844  | 143  | 4    | 033693  | 145  | 9    |
| 031632  | 133  | 17   | 031847  | 127  | 7    | 033764  | 145  | 18-1 |
| 031655  | 141  | 31   | 031847  | 127  | 12   | 033865  | 145  | 8    |
| 031671  | 133  | 8    | 031847  | 139  | 5    | 034115  | 107  | 17   |
| 031718  | 129  | 5-1  | 031847  | 141  | 27   | 034118  | 103  | 16   |
| 031752  | 117  | 13   | 031847  | 143  | 11   | 034119  | 101  | 5    |

| PART NO | PAGE | REF  | PART NO | PAGE | REF   | PART NO | PAGE | REF  |
|---------|------|------|---------|------|-------|---------|------|------|
| 034122  | 113  | 44   | 037453  | 143  | 30    | 040134  | 123  | 10   |
| 034142  | 107  | 13   | 037601  | 145  | 6     | 040135  | 123  | 8    |
| 034169  | 101  | 20   | 037603  | 145  | 7     | 040136  | 131  | 20   |
| 034170  | 107  | 2    | 037605  | 145  | 15    | 040151  | 103  | 25   |
| 034397  | 115  | 11   | 037629  | 115  | 10    | 040164  | 117  | 1    |
| 034449  | 111  | 33   | 038193  | 115  | 9     | 040254  | 101  | 19   |
| 034565  | 111  | 26   | 038193  | 117  | 8     | 040364  | 121  | 5    |
| 034589  | 135  | 5    | 038435  | 131  | 24    | 040384  | 123  | 9    |
| 034590  | 121  | 25-1 | 038445  | 119  | 1     | 040406  | 127  | 1    |
| 034677  | 111  | 29   | 038445  | 131  | 33    | 040407  | 135  | 22   |
| 034741  | 125  | 64   | 038792  | 129  | 8-3   | 040436  | 133  | 5    |
| 034833  | 135  | 1    | 038793  | 129  | 8-5   | 040511  | 133  | 26   |
| 035003  | 141  | 16   | 038794  | 129  | 8-6   | 040511  | 137  | 33   |
| 035004  | 141  | 17   | 038891  | 129  | 8-4   | 040562  | 131  | 21   |
| 035109  | 143  | 31   | 038892  | 129  | 8-7   | 040602  | 129  | 9    |
| 035338  | 129  | 12-2 | 039144  | 143  | 39    | 040603  | 135  | 11   |
| 035411  | 115  | 28   | 039144  | 145  | 22    | 040630  | 127  | 3    |
| 035747  | 115  | 20   | 039181  | 129  | 18-2  | 040758  | 101  | 14   |
| 035747  | 115  | 26   | 039275  | 125  | 59    | 040775  | 113  | 47   |
| 035747  | 117  | 15   | 039323  | 141  | 32-13 | 040776  | 101  | 2    |
| 035825  | 145  | 21   | 039354  | 129  | 10-1  | 040790  | 113  | 43   |
| 035828  | 111  | 3    | 039545  | 101  | 1     | 040794  | 101  | 22   |
| 036043  | 145  | 25   | 039578  | 135  | 12    | 040795  | 101  | 21   |
| 036211  | 111  | 4    | 039651  | 115  | 34    | 040799  | 101  | 23   |
| 036211  | 111  | 32   | 039652  | 115  | 30    | 040845  | 113  | 50   |
| 036211  | 111  | 36   | 039672  | 123  | 34    | 040849  | 113  | 55   |
| 036425  | 115  | 24   | 039672  | 143  | 18    | 040906  | 125  | 53   |
| 036473  | 145  | 23   | 039703  | 115  | 19    | 040907  | 143  | 21-1 |
| 036477  | 145  | 32   | 039705  | 115  | 15    | 040922  | 133  | 6    |
| 036479  | 145  | 26-1 | 039752  | 129  | 4-1   | 040930  | 143  | 14   |
| 036483  | 145  | 29-2 | 039754  | 131  | 25    | 040947  | 115  | 14   |
| 036490  | 145  | 26-2 | 039758  | 129  | 7-1   | 040966  | 133  | 27   |
| 036493  | 101  | 46   | 039759  | 129  | 4-2   | 040966  | 137  | 34   |
| 036541  | 115  | 23   | 039762  | 135  | 21-1  | 041023  | 133  | 4    |
| 036544  | 145  | 33   | 039763  | 135  | 21-3  | 041024  | 133  | 18   |
| 036545  | 145  | 34   | 039790  | 129  | 8-1   | 041035  | 129  | 10-3 |
| 036557  | 148  | 10-2 | 039790  | 143  | 37    | 041331  | 131  | 27   |
| 036563  | 143  | 9    | 039798  | 135  | 15-1  | 041332  | 135  | 8    |
| 036590  | 145  | 24   | 039806  | 143  | 12    | 041332  | 135  | 14   |
| 036614  | 117  | 26   | 039818  | 111  | 7     | 041420  | 111  | 21   |
| 036614  | 131  | 32   | 039820  | 115  | 25    | 041424  | 101  | 24   |
| 036614  | 141  | 8    | 039820  | 117  | 9     | 041425  | 113  | 56   |
| 036616  | 115  | 22   | 039821  | 117  | 10    | 041428  | 103  | 8    |
| 036622  | 117  | 17   | 039821  | 121  | 15    | 041438  | 109  | 6    |
| 036622  | 117  | 24   | 039830  | 135  | 10    | 041438  | 111  | 25   |
| 036622  | 131  | 34   | 039867  | 119  | 8     | 041562  | 148  | 13   |
| 036626  | 145  | 30   | 040008  | 135  | 21-2  | 041720  | 133  | 23   |
| 036627  | 145  | 31   | 040015  | 125  | 65    | 041722  | 133  | 22   |
| 036630  | 145  | 35   | 040015  | 143  | 2     | 041727  | 137  | 35   |
| 036642  | 123  | 18   | 040016  | 125  | 45    | 041801  | 115  | 29   |
| 036650  | 141  | 1    | 040018  | 131  | 19    | 041802  | 148  | 12   |
| 036821  | 101  | 47   | 040022  | 129  | 11-2  | 041803  | 148  | 1    |
| 036829  | 145  | 20   | 040036  | 117  | 25    | 041804  | 148  | 2    |
| 036842  | 145  | 1    | 040082  | 135  | 16    | 041805  | 148  | 3    |
| 037323  | 143  | 24   | 040083  | 103  | 24    | 041806  | 148  | 4    |
| 037393  | 101  | 48   | 040084  | 111  | 1     | 041807  | 103  | 2    |
| 037401  | 115  | 21-1 | 040084  | 121  | 13    | 041808  | 103  | 13   |
| 037402  | 115  | 21-2 | 040129  | 127  | 2     | 041809  | 103  | 3    |



| PART NO | PAGE | REF  | PART NO | PAGE | REF   | PART NO | PAGE | REF  |
|---------|------|------|---------|------|-------|---------|------|------|
| 041810  | 103  | 19   | 041870  | 105  | 12    | 041929  | 113  | 49   |
| 041811  | 103  | 29   | 041871  | 105  | 10    | 041930  | 113  | 45   |
| 041812  | 103  | 6    | 041872  | 105  | 8     | 041931  | 113  | 52   |
| 041813  | 103  | 5    | 041873  | 105  | 2     | 041932  | 111  | 18   |
| 041814  | 103  | 32   | 041874  | 105  | 1     | 041933  | 111  | 34   |
| 041815  | 103  | 21   | 041875  | 107  | 19    | 041934  | 111  | 37   |
| 041816  | 103  | 22   | 041876  | 107  | 14    | 041935  | 111  | 10   |
| 041817  | 103  | 27   | 041877  | 107  | 15    | 041936  | 111  | 16   |
| 041818  | 103  | 20   | 041878  | 107  | 16    | 041937  | 111  | 23   |
| 041819  | 103  | 1    | 041879  | 107  | 18    | 041938  | 111  | 9    |
| 041820  | 103  | 15   | 041880  | 107  | 3     | 041939  | 111  | 13   |
| 041821  | 103  | 17   | 041881  | 107  | 1     | 041940  | 121  | 6    |
| 041822  | 101  | 16   | 041882  | 107  | 4     | 041941  | 121  | 3    |
| 041823  | 101  | 18-2 | 041883  | 107  | 6     | 041942  | 121  | 19   |
| 041824  | 101  | 33   | 041884  | 107  | 5     | 041943  | 121  | 2    |
| 041825  | 101  | 28   | 041885  | 107  | 12    | 041944  | 121  | 16   |
| 041826  | 101  | 40   | 041886  | 103  | 30    | 041945  | 121  | 17   |
| 041827  | 101  | 32   | 041887  | 107  | 9     | 041946  | 121  | 21   |
| 041828  | 103  | 33   | 041888  | 107  | 10    | 041946  | 129  | 11-1 |
| 041829  | 101  | 27   | 041889  | 101  | 6     | 041947  | 121  | 18   |
| 041831  | 113  | 42   | 041890  | 109  | 2     | 041948  | 111  | 31   |
| 041832  | 109  | 24   | 041891  | 107  | 11- 1 | 041949  | 111  | 6    |
| 041833  | 109  | 28   | 041892  | 107  | 11- 2 | 041949  | 111  | 30   |
| 041834  | 109  | 27   | 041893  | 107  | 11- 3 | 041950  | 105  | 7-1  |
| 041835  | 109  | 16   | 041894  | 107  | 11- 4 | 041951  | 105  | 7-2  |
| 041836  | 109  | 25   | 041895  | 107  | 11- 5 | 041952  | 105  | 7-3  |
| 041837  | 109  | 22   | 041896  | 107  | 11- 6 | 041953  | 105  | 7-4  |
| 041838  | 109  | 26   | 041897  | 107  | 11- 7 | 041954  | 105  | 19-1 |
| 041839  | 109  | 14   | 041898  | 107  | 11- 8 | 041955  | 105  | 19-2 |
| 041840  | 109  | 20   | 041899  | 107  | 11- 9 | 041956  | 105  | 20-1 |
| 041841  | 109  | 13   | 041900  | 107  | 11-10 | 041957  | 105  | 20-2 |
| 041842  | 109  | 15   | 041901  | 107  | 11-11 | 041958  | 105  | 20-3 |
| 041843  | 109  | 19   | 041902  | 107  | 11-12 | 041959  | 105  | 20-4 |
| 041844  | 109  | 21   | 041903  | 107  | 11-13 | 041960  | 111  | 19   |
| 041845  | 109  | 17   | 041904  | 107  | 11-14 | 041961  | 111  | 11   |
| 041846  | 109  | 18   | 041905  | 123  | 1     | 041962  | 111  | 12   |
| 041847  | 109  | 4    | 041906  | 123  | 3     | 041963  | 111  | 8    |
| 041848  | 109  | 8    | 041907  | 123  | 4     | 041964  | 111  | 20   |
| 041849  | 109  | 7    | 041908  | 123  | 7     | 041965  | 111  | 24   |
| 041850  | 109  | 5    | 041909  | 123  | 14    | 041966  | 101  | 17   |
| 041851  | 109  | 3    | 041910  | 123  | 15    | 041967  | 113  | 38   |
| 041852  | 109  | 1    | 041911  | 123  | 16    | 041968  | 101  | 10   |
| 041853  | 109  | 9    | 041912  | 123  | 17    | 041969  | 101  | 15   |
| 041854  | 109  | 10   | 041913  | 123  | 36    | 041970  | 123  | 28   |
| 041855  | 101  | 35   | 041914  | 123  | 37    | 041971  | 125  | 51   |
| 041856  | 101  | 36   | 041915  | 123  | 35    | 041972  | 101  | 13   |
| 041857  | 103  | 10   | 041915  | 123  | 38    | 041974  | 143  | 34   |
| 041858  | 101  | 18-1 | 041916  | 123  | 39    | 041975  | 143  | 33   |
| 041859  | 101  | 37   | 041917  | 123  | 40    | 041976  | 125  | 57   |
| 041860  | 105  | 3    | 041918  | 123  | 24    | 041977  | 125  | 56   |
| 041861  | 105  | 4    | 041919  | 123  | 23    | 042295  | 133  | 3    |
| 041862  | 105  | 5    | 041920  | 123  | 25    | 042307  | 148  | 8-2  |
| 041863  | 105  | 17   | 041921  | 123  | 19    | 042332  | 129  | 10-2 |
| 041865  | 105  | 16   | 041924  | 123  | 2     | 042893  | 145  | 5    |
| 041866  | 105  | 14   | 041925  | 113  | 39    | 043377  | 148  | 14   |
| 041867  | 105  | 15   | 041926  | 113  | 46    | 043480  | 143  | 1    |
| 041868  | 105  | 9    | 041927  | 113  | 51    | 044012  | 107  | 8    |
| 041869  | 105  | 11   | 041928  | 113  | 48    | 044013  | 105  | 13   |

| PART NO | PAGE | REF  |
|---------|------|------|
| 044014  | 105  | 18   |
| 044015  | 113  | 41   |
| 044016  | 101  | 25   |
| 044017  | 101  | 3    |
| 044017  | 101  | 9    |
| 044018  | 111  | 35   |
| 044019  | 103  | 11   |
| 044020  | 103  | 4    |
| 044021  | 109  | 11   |
| 044022  | 103  | 7    |
| 044023  | 111  | 5    |
| 044023  | 121  | 11   |
| 044023  | 123  | 21   |
| 044024  | 107  | 7    |
| 044024  | 121  | 25-2 |
| 044025  | 101  | 42   |
| 044025  | 113  | 57   |
| 044026  | 121  | 9    |
| 044027  | 101  | 29   |
| 044027  | 101  | 38   |
| 044028  | 101  | 39   |
| 044028  | 113  | 53   |
| 044029  | 109  | 23   |
| 044029  | 113  | 54   |
| 044030  | 109  | 12   |
| 044030  | 109  | 29   |
| 044031  | 103  | 28   |
| 044032  | 109  | 30   |
| 044207  | 123  | 31   |
| 044208  | 123  | 29   |
| 044209  | 111  | 28   |
| 044210  | 113  | 40   |
| 200120  | 143  | 35   |
| 298464  | 137  | 38   |
| 301083  | 111  | 2    |
| 301083  | 121  | 12   |



